

Lewis Brothers Mfg.
Model # SP-1 AND SP-2 Sprayer
Parts Book

Manufactured by:

LEWIS BROTHERS MANUFACTURING, INC.
Post Office Box 146
Baxley, GA. 31513
Phone: (912) 367-4651
Fax: (912)-367-3958

SP-10000-0



SP-1



SP2

Table of Contents

Component (SP-1)	6-7
Component (SP-2)	8-9
Plumbing (SP-1)	10-11
Plumbing (SP-2)	12-13
Spray Mount and Nozzle (SP-1)	14
Spray Mount and Nozzle (SP-2)	15
Tank	16
Polypropylene Line Strainer	17
Manifold (SP-1)	18
Manifold (SP-2)	19
Spray Gun	20-21
Wheel Assembly	22
Double Swivel Nozzle	23
Pump (# SP-200071) <i>Serial # 1046 and Below</i> (SP-1)	24-29
Pump (# SP-200239) <i>Serial # 1047 and Above</i> (SP-1)	30-33
Pump(# SP-200202 (SP-2)	34-38
Relief Valve	39-40
Reel (SP-1)	41-43
Reel (SP-2)	44-45
Drive Shaft	46
Nipple Washer	47-48
Decal	49-51

Torque Specifications

Lewis Brothers Part # SP-200239
Hypro Model #9910-DBA160
Fit Machine SP-1

REF. NO	DESCRIPTION	TIGHTENING TORQUE	
		In Lbs.	Nm
1	Dia. Pin	262.5	29.4
10	Nut	262.5	29.4
14	Bolt	87.5	9.8
19	Bolt	435.5	49.0
20	Bolt	435.5	49.0
23	Bolt	435.5	49.0
24	Plug	171.4	19.6
27	Air Valve	34.5	3.9
29	Bolt	171.4	19.6
45	Bolt	350.0	39.2
46	Brass Cap	171.4	19.6
49	Bolt	87.5	9.8
54	Plug	171.4	19.6
68	Bolt	350.0	39.2

Lewis Brothers Part # SP-200071
Hypro Model #9910-D1554
Fit Machine SP-1

REF. NO	DESCRIPTION	TIGHTENING TORQUE	
		In Lbs.	Nm
7	Bolt	87.5	9.8
9	Nut	304.8	34.3
16	Bolt	171.4	19.6
17	Plug	87.5	9.8
23	Bolt	435.5	49.0
24	Bolt	435.5	49.0
28	Plug	171.4	19.6
41	Bolt	262.5	29.4
53	Nut	262.5	29.4
62	Bolt	304.8	34.3
66	Bolt	87.5	9.8
69	Stud	262.5	29.4
71	Bolt	350.0	39.2
73	Nut	262.5	29.4

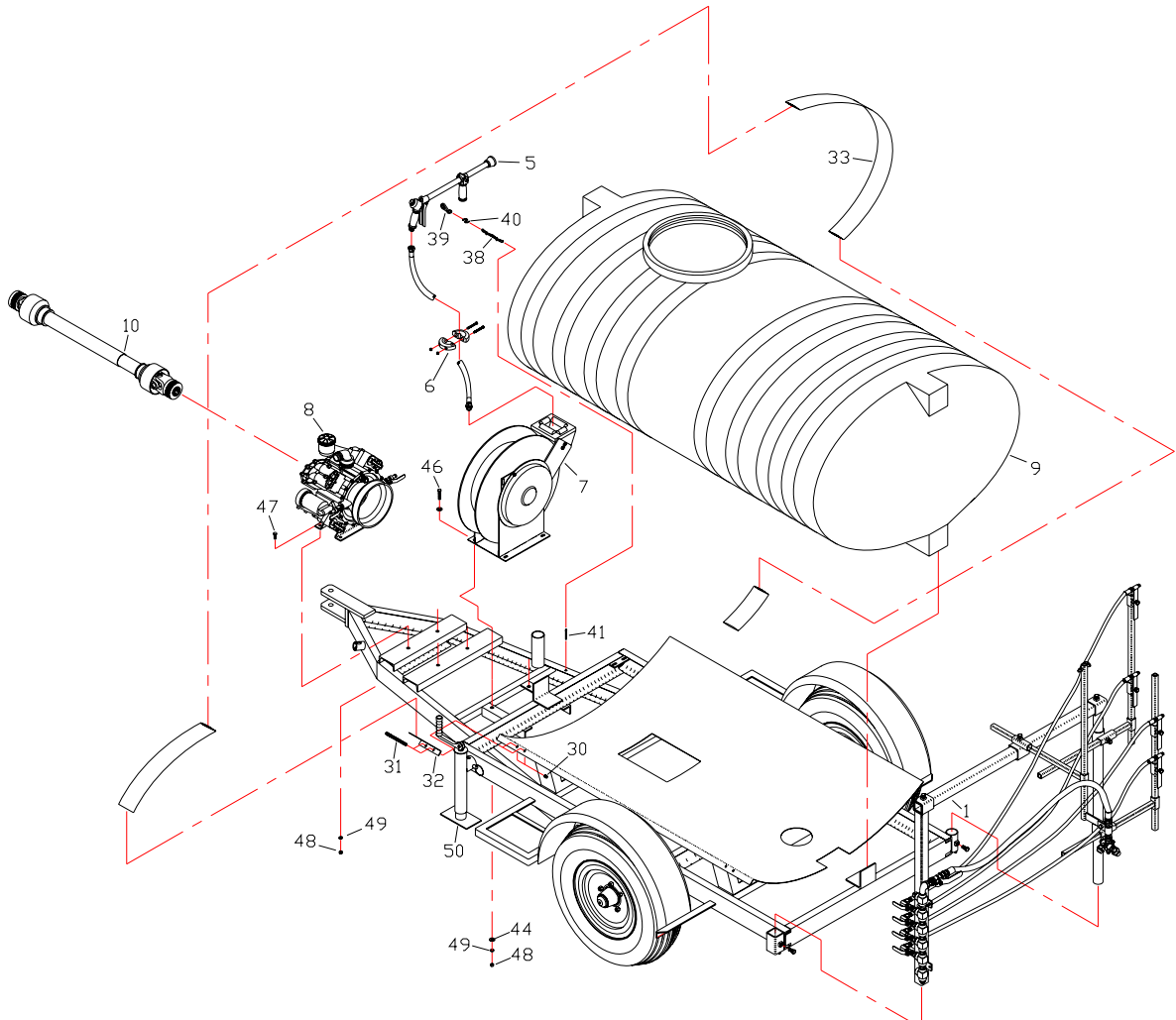
Torque Specifications

Lewis Brothers Part # SP-200202
Hypro Model #9910-D1265
Fit Machine SP-2

REF. NO	DESCRIPTION	TIGHTENING TORQUE	
		In Lbs.	Nm
1	Bolt	304.8	34.3
11	Bolt	171.4	19.6
16	Bolt	171.4	19.6
35	Bolt	171.4	19.6
36	Bolt	435.5	49.0
37	Bolt	435.5	49.0
39	Bolt	171.4	19.6
53	Plug	171.4	19.6
56	Bolt	171.4	19.6
57	Bolt	171.4	19.6
65	Bolt	87.5	9.8

Component

Fit Machine SP-1



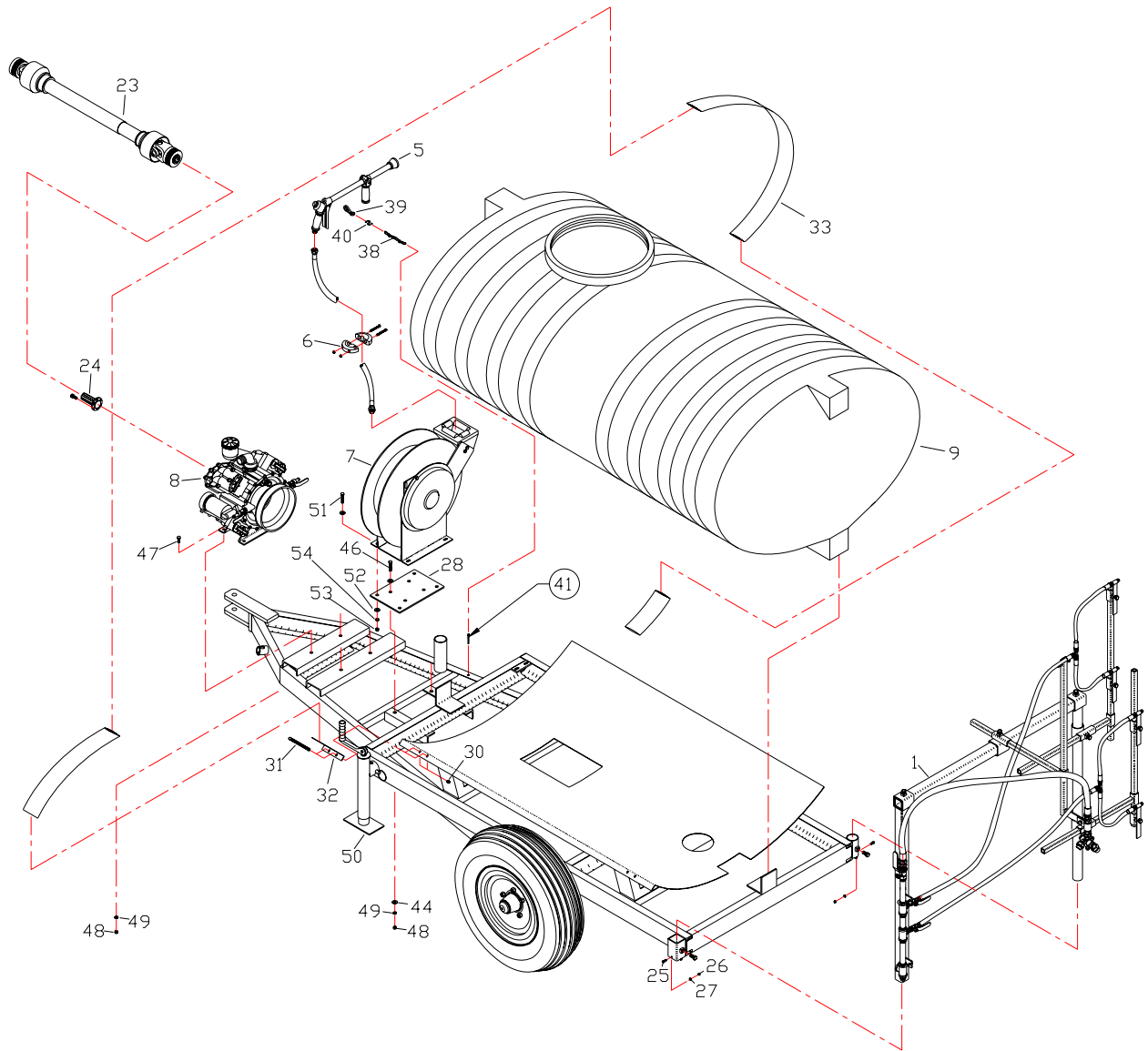
Component

Fit Machine SP-1

1	See Page 8	Spray Mount
5	SP-200074	Spray Gun See Page 20-21
6	SP-200073	Hose Bumper
7	SP-200072	Hose Reel See Page 41-43
8	SP-200239	High Pressure Diaphragm Pump See Page 30-33
9	SP-200038	Elliptical Tank See Page 16
10	SP-200160	Drive Shaft See Page 46
30	HW-301204NEZ	Nut, Hex, Nylon Lock, 3/8"
31	HW-204136G5Z	Bolt, Hex, 3/8" x 5" LG, Full Thread
32	SP-200231	Tank Strap Bracket
33	SP-200232	Tank Strap 4" Wide
38	SP-200179	Double Loop Coil Chain
39	SP-200178	Chain Snap
40	02-100265	S-Link
41	HW-426120	Cotter Pin
44	HW-325206Z	Washer, Flat, 7/16, ZP
46	HW-206106G5Z	Bolt, HH, ZP, 7/16-14NC x 1-1/4 GR5
47	HW-206108G5Z	Bolt, HH, ZP, 7/16-14NC x 1-1/2 Gr5
48	HW-300206ZG5	Nut, Hex, 7/16-14NC ZP
49	HW-335206Z	Washer, Lock, 7/16, ZP
50	SP-200102	Jack Stand
	SP-200036	Jack Stand Mount (Not Shown)

Component

Fit Machine SP-2



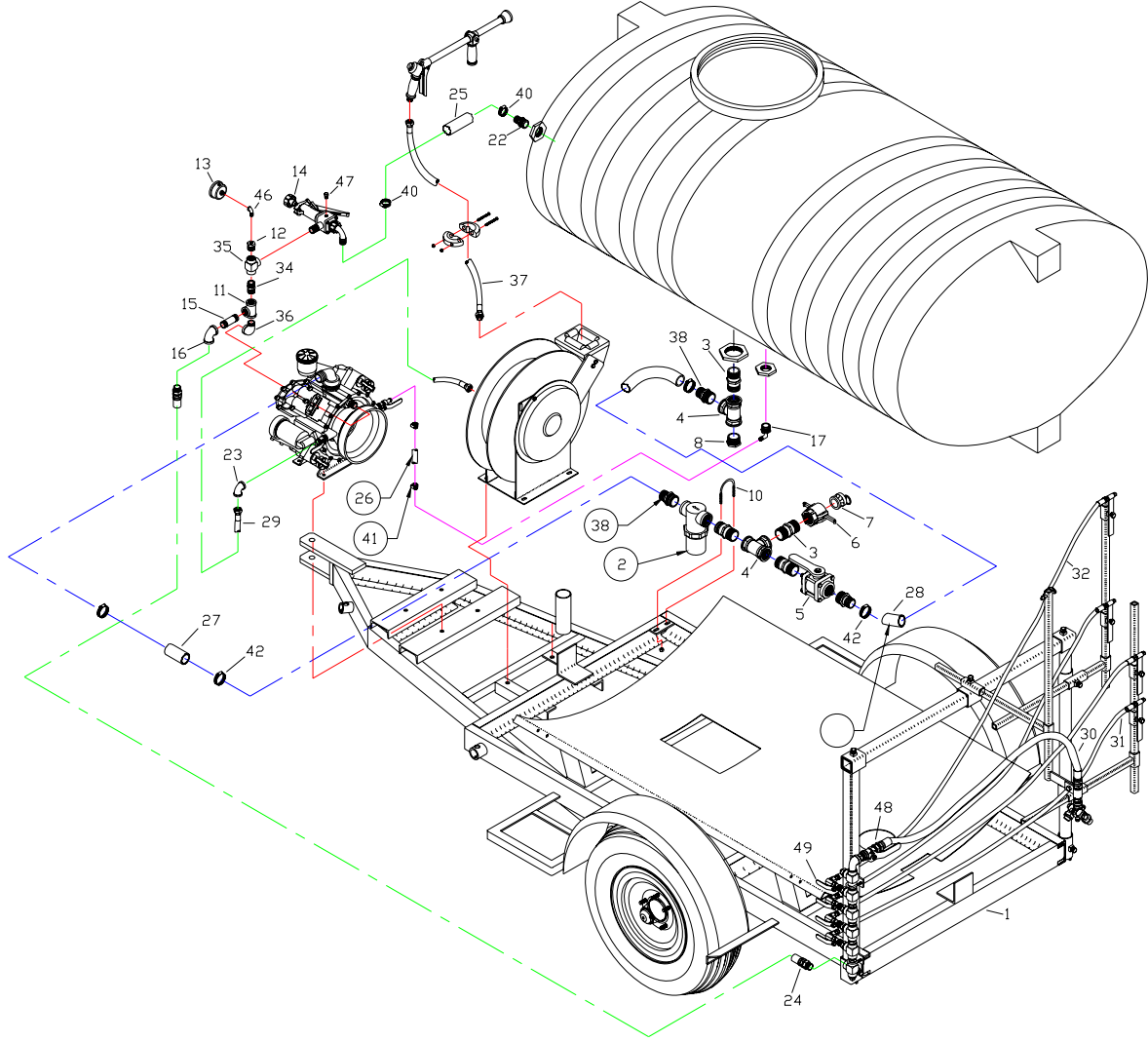
Component

Fit Machine SP-2

1	See Page 8	Spray Mount
5	SP-200074	Spray Gun See Page 20-21
6	SP-200073	Hose Bumper
7	SP200203	Hose Reel See Page 44-45
8	SP-200202	High Pressure Diaphragm Pump See Page 34-38
9	SP-200038	Elliptical Tank See Page 16
23	SP-200160	Drive Shaft See Page 46
24	SP-200227	Pump Shaft Kit for SP-200202
25	HW-200102G5Z	Bolt, 1/4-20NC x 3/4, GR-5
26	HW-300200ZG5	Nut, Hex, 1/4-20
27	HW-335220Z	Washer, Lock, 1/4
28	SP-200222	Reel Mount Bracket
30	HW-301204NEZ	Nut, Hex, Nylon Lock, 3/8"
31	HW-204136G5Z	Bolt, Hex, 3/8" x 5" LG, Full Thread
32	SP-200231	Tank Strap Bracket
33	SP-200232	Tank Strap 4" Wide
38	SP-200179	Double Loop Coil Chain
39	SP-200178	Chain Snap
40	02-100265	S-Link
41	HW-428120	Cotter Pin
44	HW-325204Z	Washer, Flat, 7/16, ZP
46	HW-204106G5Z	Bolt, HH, ZP, 7/16-14 x 1-1/4 GR5
47	HW-206104G5Z	Bolt, HH, ZP, 7/16-14NC x 1 Gr5
48	HW-300206ZG5	Nut, Hex, 7/16-14NC ZP
49	HW-335206Z	Washer, Lock, 7/16, ZP
50	SP-200102	Jack Stand
	SP-200036	Jack Stand Mount (Not Shown)
51	HW-208108G5Z	Bolt, HH, ZP 1/2-13 x 1-1/4, GR5
52	HW-325208Z	Washer, Flat, 1/2, ZP
53	HW-300208ZG5	Nut, Hex, 1/2-13NC, ZP
54	HW-335208Z	Washer, Lock, 1/2, ZP

Plumbing

Fit Machine SP-1



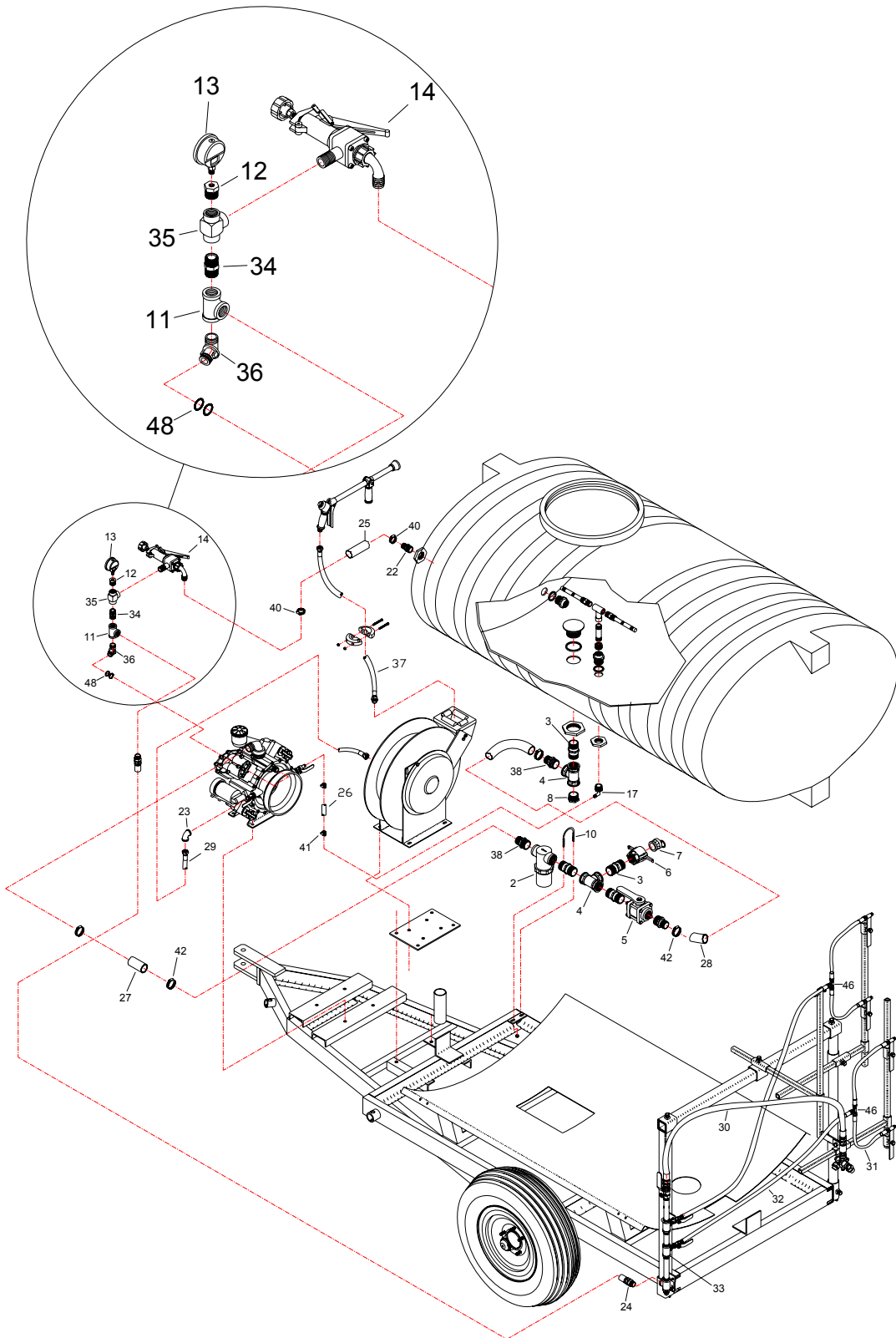
Plumbing

Fit Machine SP-1

2	SP-200106	Line Strainer	See Page 17
3	SP-200108	1-1/2" x 1-1/2" Nylon Coupling	
4	SP-200109	1-1/2" Female Nylon Tee	
5	SP-200110	1-1/2" Ball Valve	
6	SP-200111	1-1/2" Cam Lever Coupling	
7	SP-200112	1-1/2" Cam Lever Plug	
8	SP-200180	1-1/2" Nylon Plug	
10	SP-200115	U-Bolt	
11	SP-200116	3/4" x 3/4" x 3/4" Tee	
12	HK-101439	3/4" x 1/4" Bushing	
13	SP-200118	Pressure Gauge	
14	SP-200119	Relief Valve	See Page 39-40
15	SP-200120	3/4" Nipple	
16	SP-200121	3/4" x 3/4" Elbow	
17	SP-200122	1"NPT (Male) x 1/2" Barb Nylon Elbow	
22	SP-200127	1" x 1" Nylon Hose Barb	
23	SP-200129	1/2" x 1/2" Elbow	
24	SP-200131	Hose, Pump Valve to Rear Manifold	
25	SP-200132	Hose, Relief Valve to Tank	
26	SP-200133	Hose, Pump to Agitator	
27	SP-200134	Hose, Line Strainer to Pump	
28	SP-200135	Hose, Tank to Line Strainer	
29	SP-200136	Hose, Pump to Reel	
30	SP-200137	Hose, Manifold to Double Swivel Nozzle	
31	SP-200138	Hose, Manifold to Bottom Nozzle	
32	SP-200139	Hose, Manifold to Top and Center Nozzle	
34	HK-100772	3/4" Coupling (M)	
35	HK-101667	3/4" Tee (5604-12-12-12) F X F X M	
35	HK-101438	3/4" Tee (5605-12-12-12) F X F X F	
36	SP-200089	90° x 3/4" Elbow	
37	SP-200078	Reel Hose	
38	SP-200105	1-1/2" x 1-1/2" Nylon Hose Barb	
40	SP-200176	Hose Clamp (1.5")	
41	SP-200177	Hose Clamp (.875")	
42	SP-200175	Hose Clamp (2")	
46	SP-200245	1/4" Galv. Street Elbow	
47	SP-200246	1/4" Galv. Male Pipe Plug	
48	SP-200090	Ball Valve, 3/4"	
49	SP-200086	Ball Valve	

Plumbing

Fit Machine SP-2



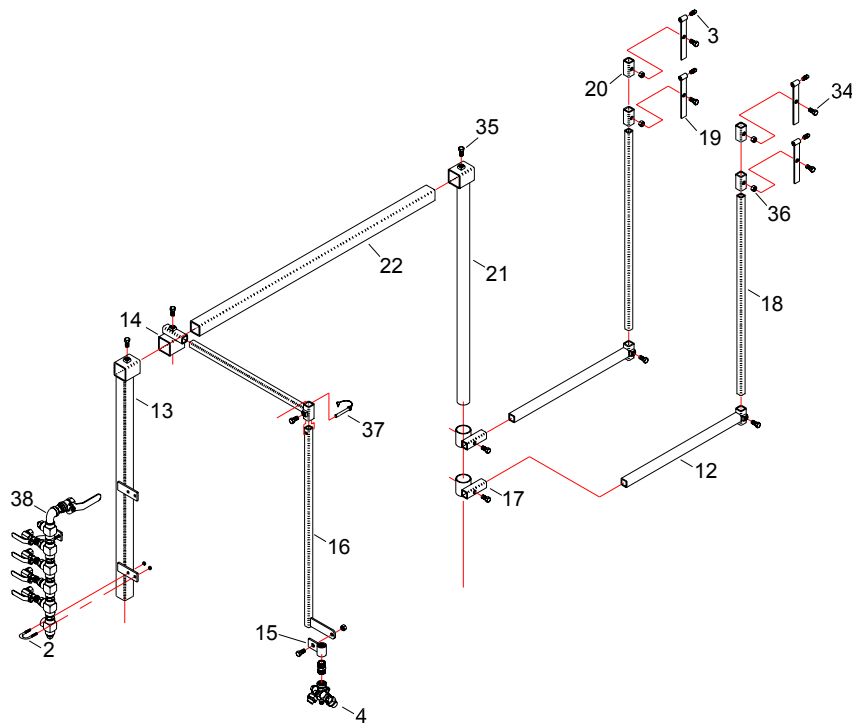
Plumbing

Fit Machine SP-2

2	SP-200106	Line Strainer See Page 17
3	SP-200108	1-1/2" x 1-1/2" Nylon Coupling
4	SP-200109	1-1/2" Female Nylon Tee
5	SP-200110	1-1/2" Ball Valve
6	SP-200111	1-1/2" Cam Lever Coupling
7	SP-200112	1-1/2" Cam Lever Plug
8	SP-200180	1-1/2" Nylon Plug
10	SP-200115	U-Bolt
11	SP-200116	3/4" x 3/4" x 3/4" Tee
12	HK-101439	3/4" x 1/4" Bushing
13	SP-200118	Pressure Gauge
14	SP-200119	Relief Valve See Page 39-40
17	SP-200122	1"NPT (Male) x 1/2" Barb Nylon Elbow
22	SP-200127	1" x 1" Nylon Hose Barb
23	SP-200129	1/2" x 1/2" Elbow
24	SP-200131	Hose, Relief Valve to Rear Manifold
25	SP-200132	Hose, Relief Valve to Tank
26	SP-200133	Hose, Pump to Agitator
27	SP-200134	Hose, Line Strainer to Pump
28	SP-200135	Hose, Tank to Line Strainer
29	SP-200136	Hose, Pump to Reel
30	SP-200137	Hose, Manifold to Double Swivel Nozzle
31	SP-200243	Hose, Tee to Nozzle 3/8" x 18" LG
32	SP-200244	Hose, Manifold to Tee 3/8" x 80" LG
33	See Page	Manifold
34	HK-100772	3/4" Coupling (M)
35	HK-101667	3/4" Tee (5604-12-12-12) F X F X M
35	HK-101438	3/4" Tee (5605-12-12-12) F X F X F
36	9910-1040761	Adaptor
37	SP-200078	Reel Hose
38	SP-200105	1-1/2" x 1-1/2" Nylon Hose Barb
40	SP-200176	Hose Clamp (1.5")
41	SP-200177	Hose Clamp (.875")
42	SP-200175	Hose Clamp (2")
46	SP-200228	Tee, 3/8" Galv.
48	9910-390180	O-Ring

Spray Mount and Nozzles

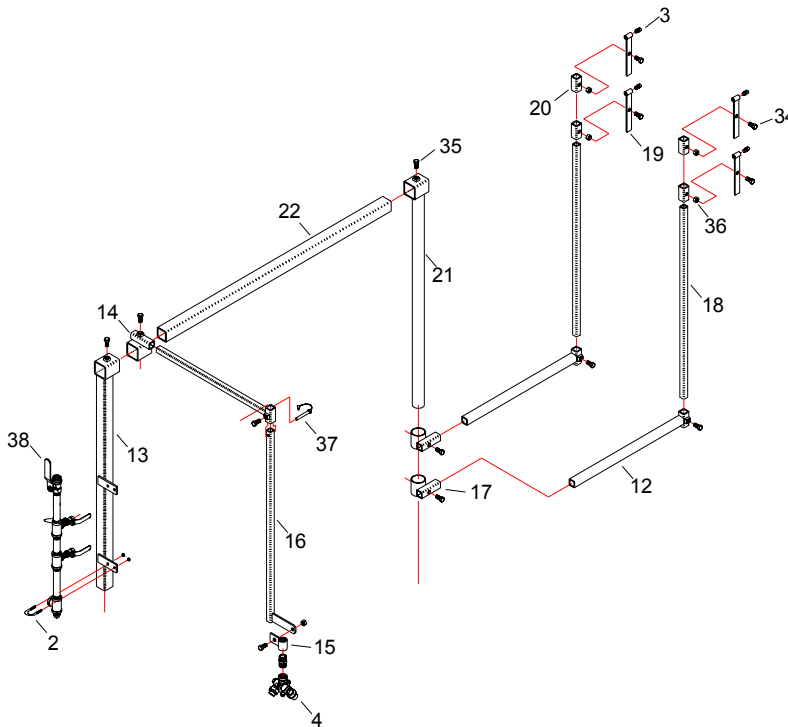
Fit Machine SP-1



2	SP-200079	Clamp
3	SP-200075	Spray Nozzle
4	SP-200076	Double Swivel Nozzle See Page 23
12	SP-200050	Sprayer Arm
13	SP-200040	L.H. Spray Bar
14	SP-200055	Sleeve Weldment
15	SP-200065	3/4" Spray Nozzle Mount
16	SP-200045	Spray Boom
17	SP-200057	R.H. Sleeve Weldment
18	SP-200052	Sprayer Boom Extension
19	SP-200066	1/4" Spray Nozzle Mount
20	SP-200048	Spray Nozzle Mount Holder
21	SP-200060	R.H. Spray Bar
22	SP-200044	Top Spray Bar
34	HW-208108SS	Bolt, Stainless Steel, 1/2-13NC x 1-1/2
35	HW-208104SS	Bolt, Stainless Steel, 1/2-13NC x 1
36	HW-300208ZG5	Nut, Hex, GR9, 1/2-13NC
37	HW-960851	Lock Pin
38	See Page 12	Manifold

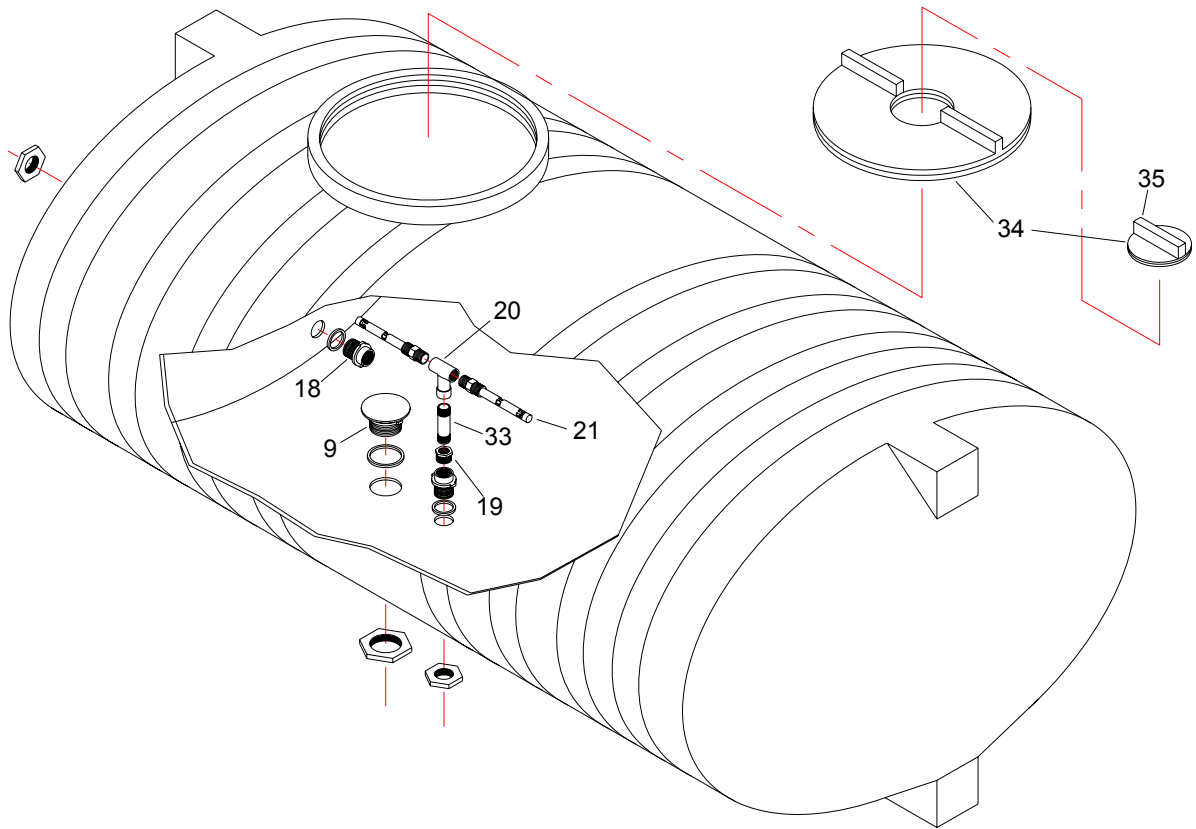
Spray Mount and Nozzles

Fit Machine SP-2



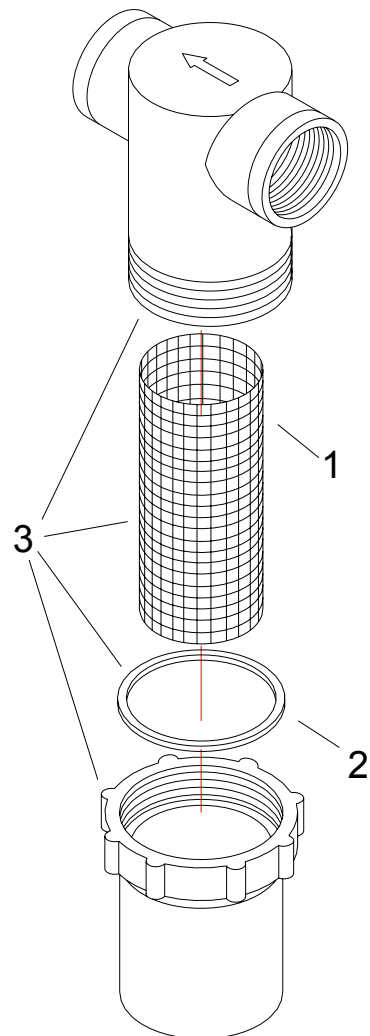
2	SP-200079	Clamp
3	SP-200075	Spray Nozzle
4	SP-200076	Double Swivel Nozzle See Page 23
12	SP-200050	Sprayer Arm
13	SP-200040	L.H. Spray Bar
14	SP-200055	Sleeve Weldment
15	SP-200065	3/4" Spray Nozzle Mount
16	SP-200045	Spray Boom
17	SP-200057	R.H. Sleeve Weldment
18	SP-200052	Sprayer Boom Extension
19	SP-200066	1/4" Spray Nozzle Mount
20	SP-200048	Spray Nozzle Mount Holder
21	SP-200060	R.H. Spray Bar
22	SP-200044	Top Spray Bar
34	HW-208108SS	Bolt, Stainless Steel, 1/2-13NC x 1-1/2
35	HW-208104SS	Bolt, Stainless Steel, 1/2-13NC x 1
36	HW-300208ZG5	Nut, Hex, GR5, 1/2-13NC
37	HW-960851	Lock Pin
38	See Page 11	Manifold

Tank



9	SP-200114	1-1/2" A.E. Vortex
18	SP-200123	1" Double Thread Fitting
19	SP-200124	1" x 3/4", Nylon Bushing
20	SP-200230	Agitator Tee
21	SP-200126	Jet Agitator
33	SP-200229	Plastic Nipple, 3/4" x 4" LG
34	SP-200233	16" Fill Well Cover
	5478R	10" Fill Well Cover
35	SP-200103	Vent Cap For 16" Fill Well Cover

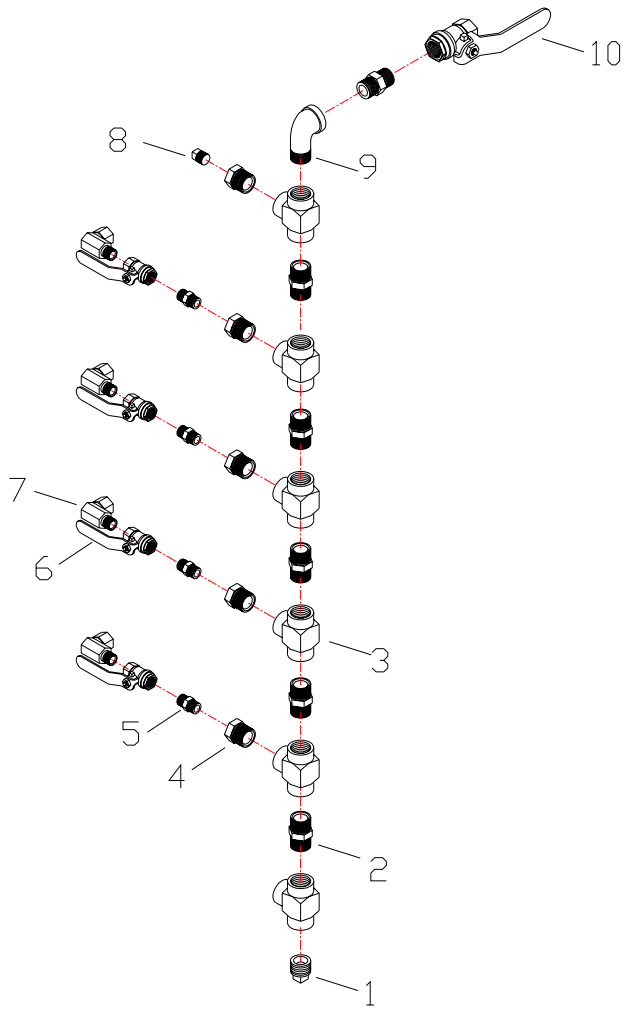
Polypropylene Line Strainer



1	SP-200103	Screen
2	SP-200107	Gasket
3	SP-200106	Strainer, Complete

Manifold

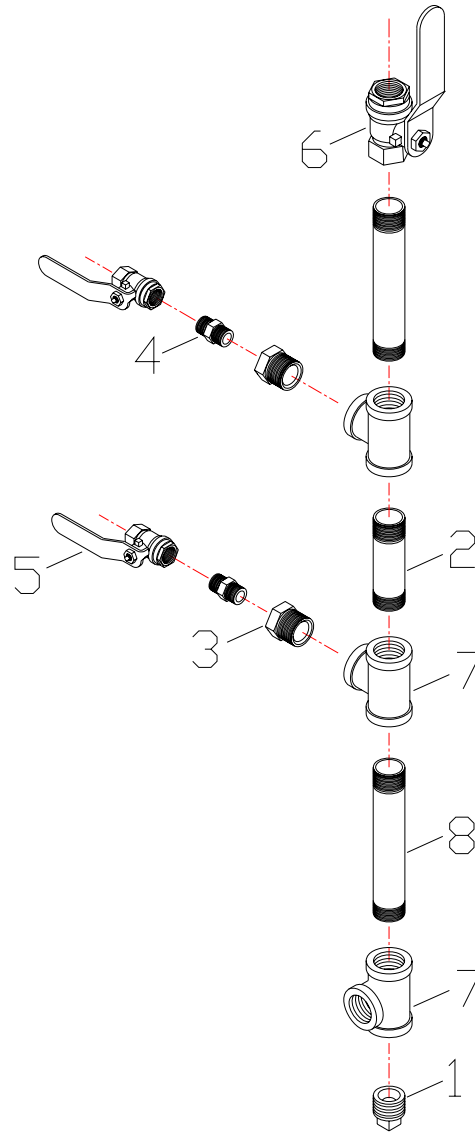
Fit Machine SP-1



1	SP-200081	3/4" Plug
2	HK-100772	3/4" Coupling (M)
3	HK-101438	Tee (F)
4	SP-200084	3/4" x 3/8" Bushing
5	SP-200085	3/8" Coupling (M)
6	SP-200086	3/8" ball Valve
7	SP-200087	90° x 3/8" Elbow
8	SP-200088	3/8" plug
9	SP-200089	90° x 3/4" Elbow
10	SP-200090	3/4" ball Valve

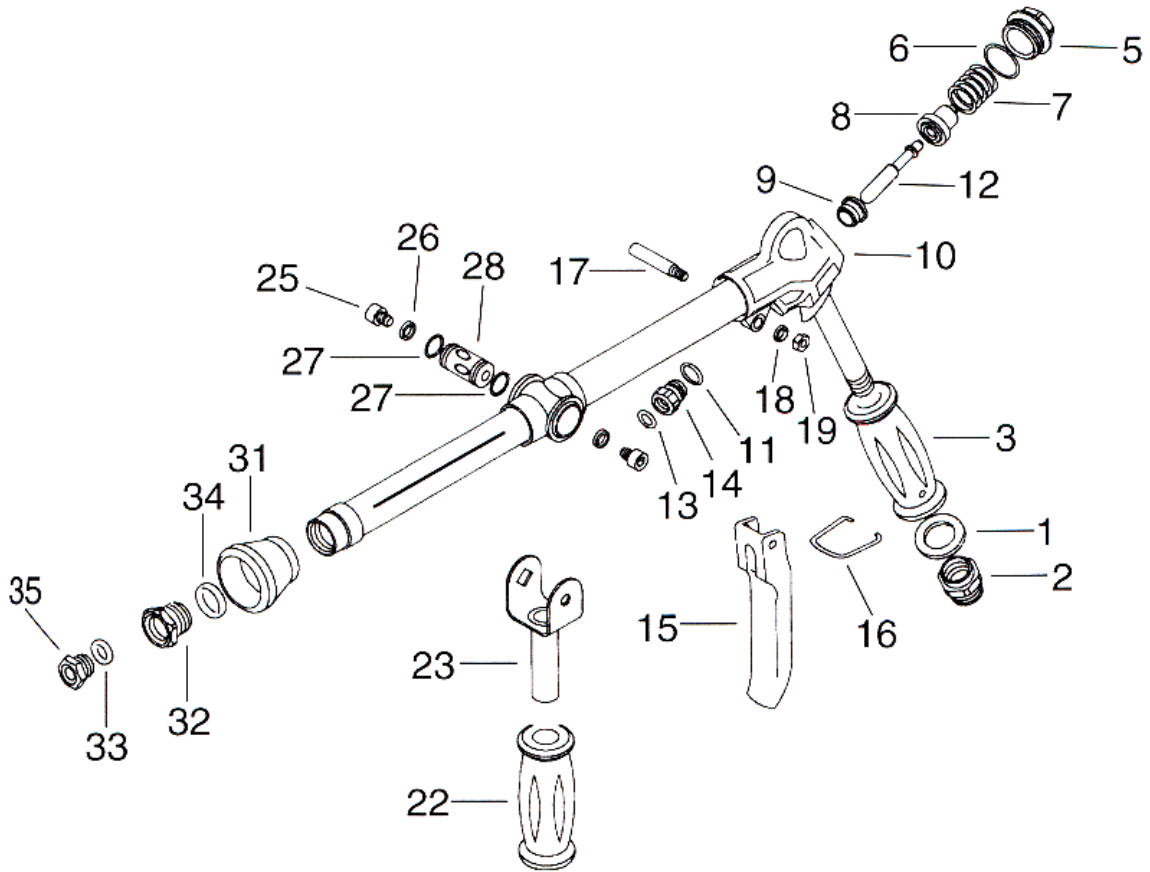
Manifold

Fit Machine SP-2



1	SP-200081	3/4" Plug
2	SP-200226	3/4" Galv. Nipple, 3-1/2" long
3	SP-200084	Bushing
4	SP-200085	3/8" Coupling (M)
5	SP-200086	3/8" Ball Valve
6	SP-200090	3/4" Ball Valve
7	SP-200116	3/4" x 3/4" x 3/4" Galv. Tee
8	SP-200213	3/4" Galv. Nipple 6" Long

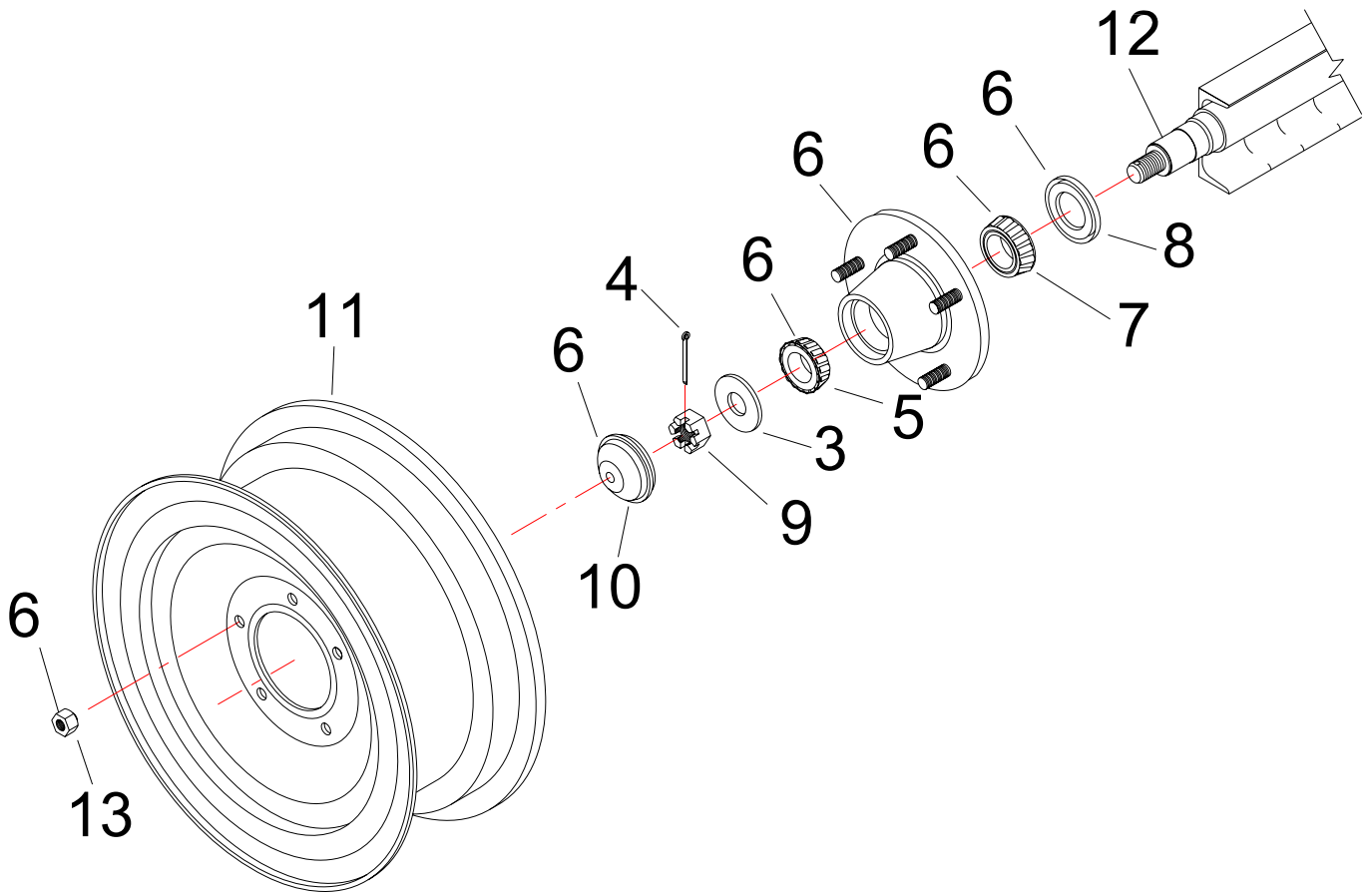
Spray Gun



Spray Gun

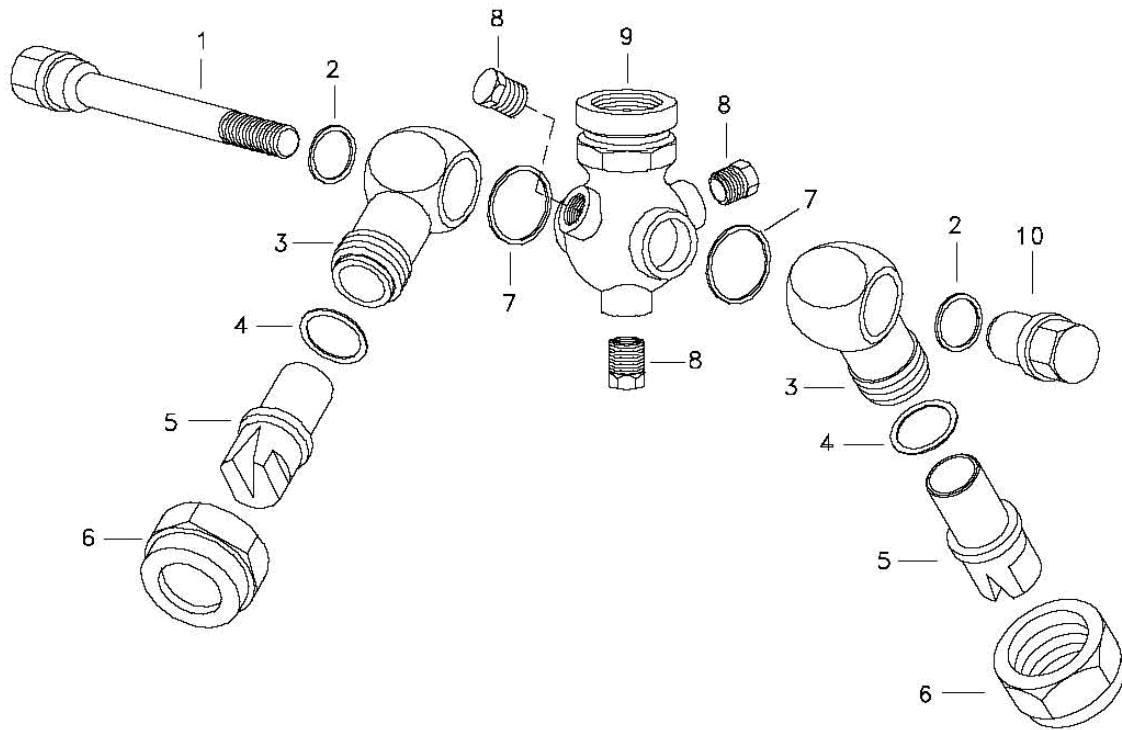
1	9920-232	Washer	1
2	9920-230B	Inlet Port	1
3	9920-193	Hand Grip	1
5	9920-231	Plug	1
6	*	O-Ring	1
7	9920-233	Spring	1
8	*	Popper	1
9	*	Seat	1
10	9920-7.1615.3	Body, Welded Assembly	1
11	*	O-Ring	1
12	9920-239	Plunger	1
13	*	O-Ring	1
14	9920-241	Guide	1
15	9920-246	Trigger	1
16	9920-246	Locking Clip	1
17	9920-194	Pin	1
18	9920-1751	Washer	1
19	9910-5587-65	Nut	1
22	9920192	Front Grip	1
23	9920-247	Bracket	1
25	9920-5931	Bolt	2
26	9020-1751	Washer	2
27	*	O-Ring	2
28	9920-237	Regulator	1
31	9920-183	Shroud	1
32	9920-158	Nozzle Retainer	1
33	*	O-Ring	1
34	*	O-Ring	1
35	3385-3000	Nozzle	1
36	9910-110130	Hose Barb	1
*	9920-KIT10/11	Repair Kit	

Wheel Assembly



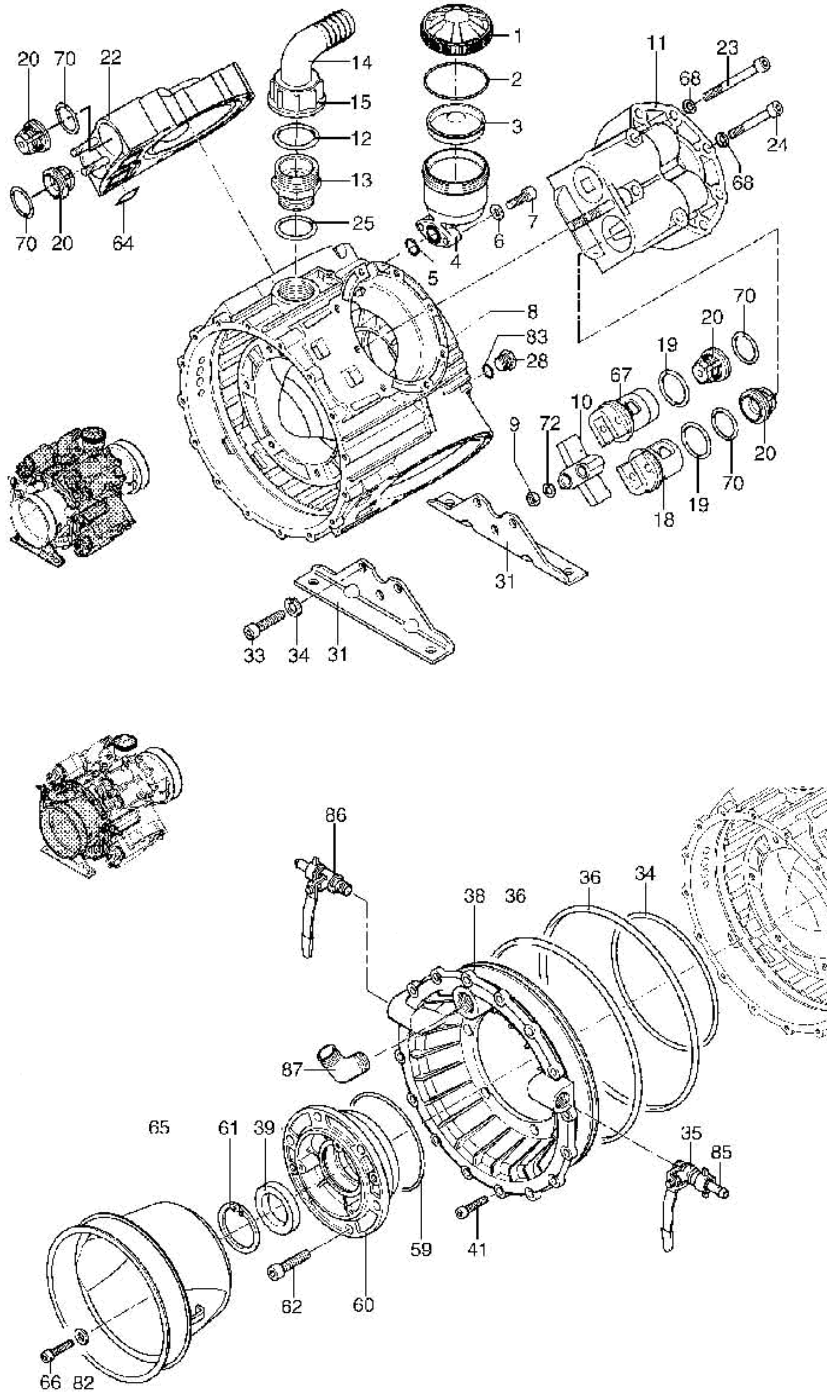
3	HW-325218	Washer, Flat, 7/8
4	HW-426110	Cotter pin 3/16 x 1-3/4
5	SP-200093	Outer Wheel Bearing
6	SP-200171	Hub Assembly
7	SP-200095	Inner Wheel Bearing
8	SP-200096	Wheel Seal
9	HW-300219S	Wheel Nut
10	SP-200092	Hub Cap
11	SP-200238	Wheel
12	SP-200032	Spindle Kit
13	HW-960835	Lug Nut, 1/2-20NF

Double Swivel Nozzle



1	CP4420	Connecting Screw
2	CP4246-CU	Screw Gasket
3	CP4242	Nozzle Body
4	CP4784-AL	Top Gasket
5	OC40	Tip
6	CP3819	Cap
7	CP4245-CU	Body Gasket
8	CP2812	1/4" Pipe Plug
9	CP5423	Inlet Body
10	CP4244	Cap Nut

SP-200071
Pump Model 9910-D1554
Serial # 1046 and Below
Fit Machine SP-1

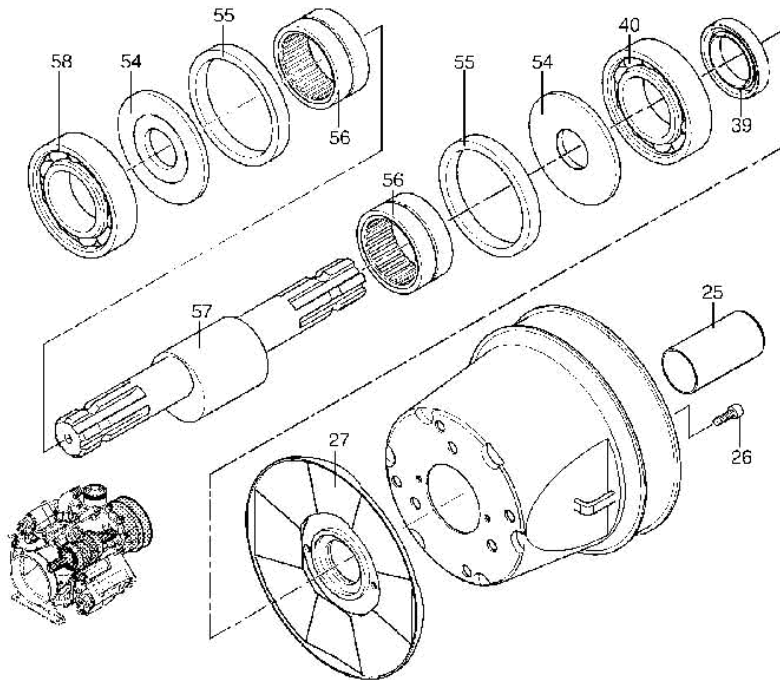
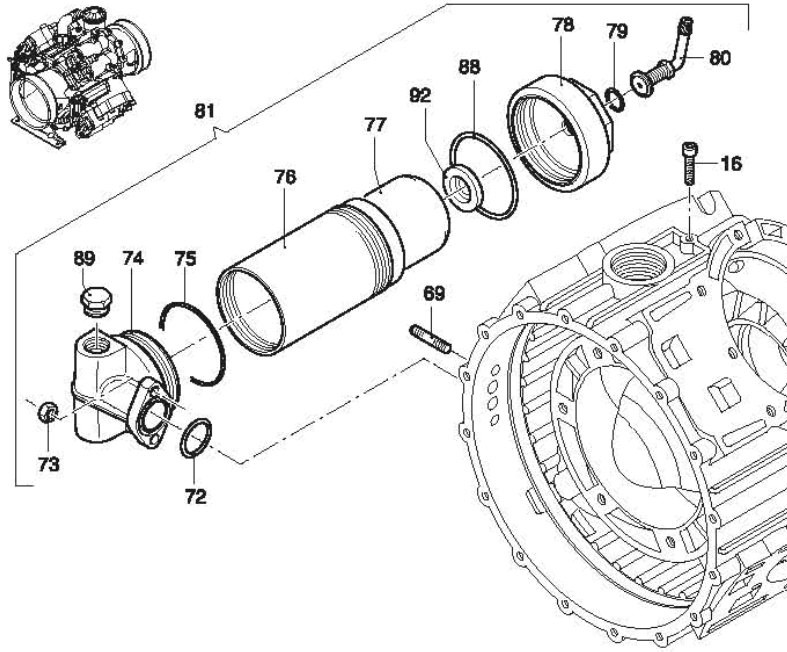


Note: Continued On Page 27,28, and 29 with Legend.

SP-200071

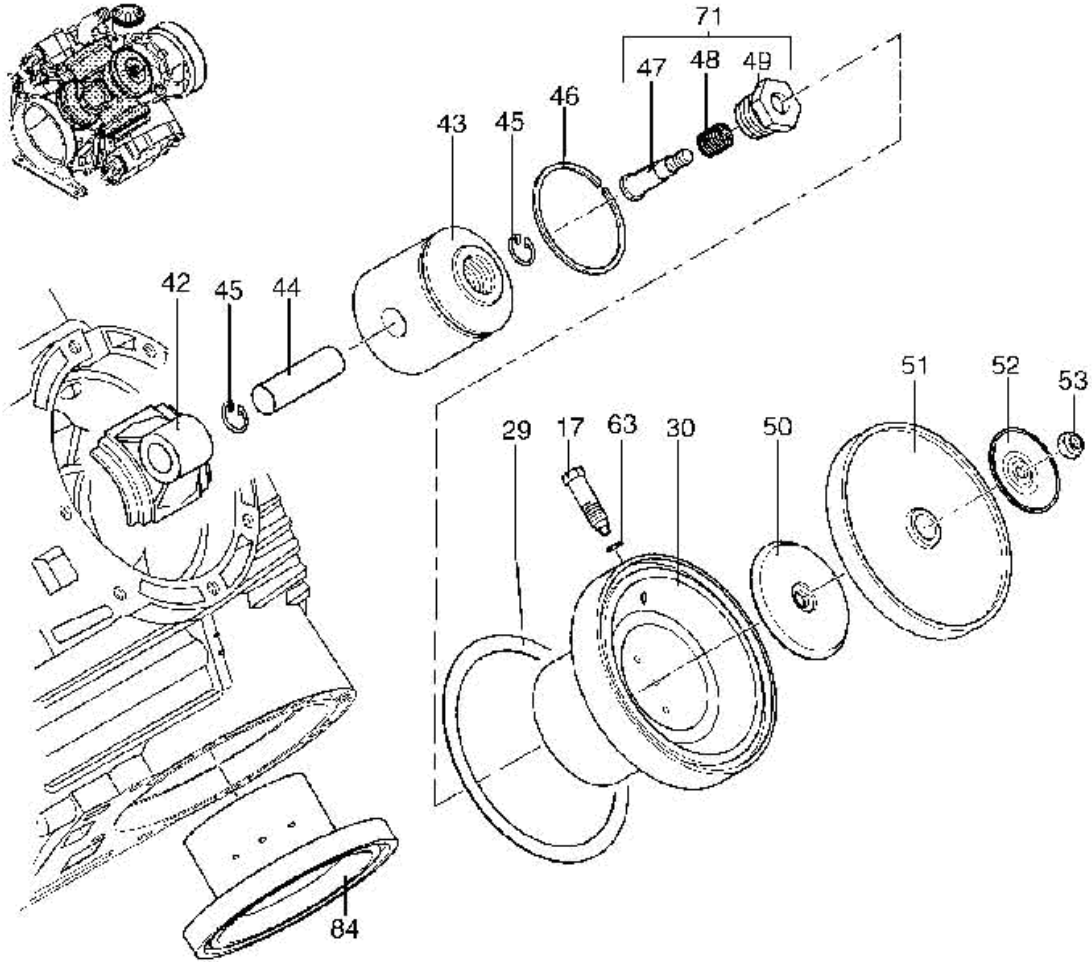
Pump Model 9910-D1554

Serial # 1046 and Below Fit Machine SP-1



Note: Continued On Page 27,28, and 29 with Legend.

SP-200071
Pump Model 9910-D1554
Serial # 1046 and Below
Fit Machine SP-1



Note: Continued On Page 27,28, and 29 with Legend.

Pump Model 9910-D1554

Serial # 1046 and Below
Fit Machine SP-1

1	9910-750050	Oil Cap	1
2	9910-1040060	O-Ring	1
3	9910-680040	Oil Breather Cap	1
4	9910-680030	Oil Reservoir	1
5	9910-390180	O-Ring	2
6	9910-380241	Washer	3
7	9910-680350	Bolt	2
8	9910-850010	Pump Body	1
9	9910-180150	Nut	8
10	9910-850271	Valve Retainer	4
11	9910-850103	Right Head	2
12	9910-250310	O-Ring	1
13	9910-391920	Adapter Nut	1
14	9910-540550	Hose Barb	1
15	9910-540540	Hose Barb Nut	1
16	9910-850370	Bolt	1
17	9910-850190	Plug	2
18	9910-850161	Valve Retainer, Suction	4
19	9910-230060	O-Ring	8
20	9910-909050	Valve Assembly	8
21	9910540360	O-Ring	1
22	9910850104	Left Head	2
23	9910-850260	Bolt	12
24	9910-620870	Bolt	20
25	9910-850920	Shaft Protector	1
26	9910-850930	Screw	3
27	9910-850910	Protector Housing	1
28	9910-880530	Drain Plug, Oil	1
29	9910-850280	Gasket	4
30	9910-850112	Piston Sleeve w/bleed Hole	2
31	9910-850200	Base	2
32	9910-250142	Washer	6
33	9910-850330	Bolt	6
34	9910-850300	O-Ring	1
35	9910-160141	Ball Valve	1
36	9910-850310	O-Ring	2
37	9910-850740	Threaded Adapter	1
38	9910-850150	Manifold	1
39	9910-160740	Oil Seal	2

Note: Torque specifications on page 4

Pump Model 9910-D1554

Serial # 1046 and Below
Fit Machine SP-1

40	9910-230350	Bearing	1
41	9910-320360	Bolt	16
42	9910-850140	Connecting Rod	4
43	9910-850120	Piston	4
44	9910-650071	Connecting Pin	4
45	9910-160691	Snap Ring	8
46	9910-260231	Piston Ring	4
47	9910-850220	Retaining Ring	4
48	9910-850090	Spring	4
49	9910-850230	Lock Nut	4
50	9910-650090	Support Washer	4
51	9910-850085	Diaphragm	4
52	9910-650390	Diaphragm Retainer Washer	4
53	9910-160311	Lock Nut	4
54	9910-540040	Spacer	2
55	9910-850130	Retaining Ring	2
56	9910-850320	Bearing	2
57	9910-850170	Crankshaft	1
58	9910-160750	Bearing	1
59	9910-850290	O-Ring	1
60	9910-850020	Seal Retainer	1
61	9910-200390	Retainer Ring	1
62	9910-540310	Bolt	6
63	9910-851280	O-Ring	2
64	9910-850030	Gasket	8
65	9910-1500350	Shield	1
66	9910-850250	Bolt	3
67	9910-850181	Valve Holder, Discharge	4
68	9910-200231	Lock Washer	40
69	9910-851250	Stud	2
70	9910-680070	O-Ring	8
71	9910-859080	Retaining Bolt, Spring, Nut Assembly	4
72	9910-3902290	O-Ring	1
73	9910-380240	Nut	2
74	9910-851710	Pulsation Damper Support	1
75	9910-851270	O-Ring	1
76	9910-851670	Pulsation Damper Cylinder	1
77	9910-851680	Pulsation Diaphragm	1
78	9910-851660	Cap	1

Note: Torque specifications on page 4

Pump Model 9910-D1554

Serial # 1046 and Below
Fit Machine SP-1

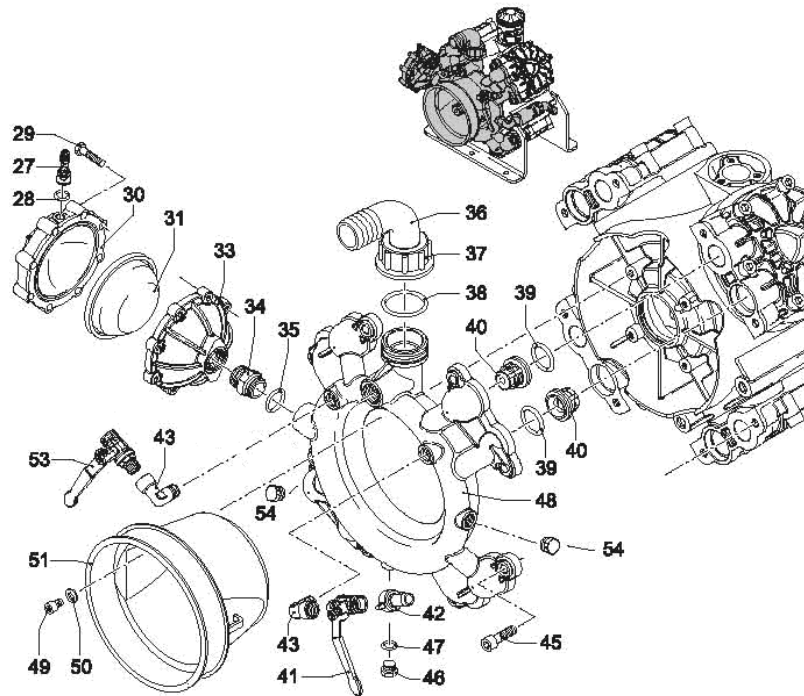
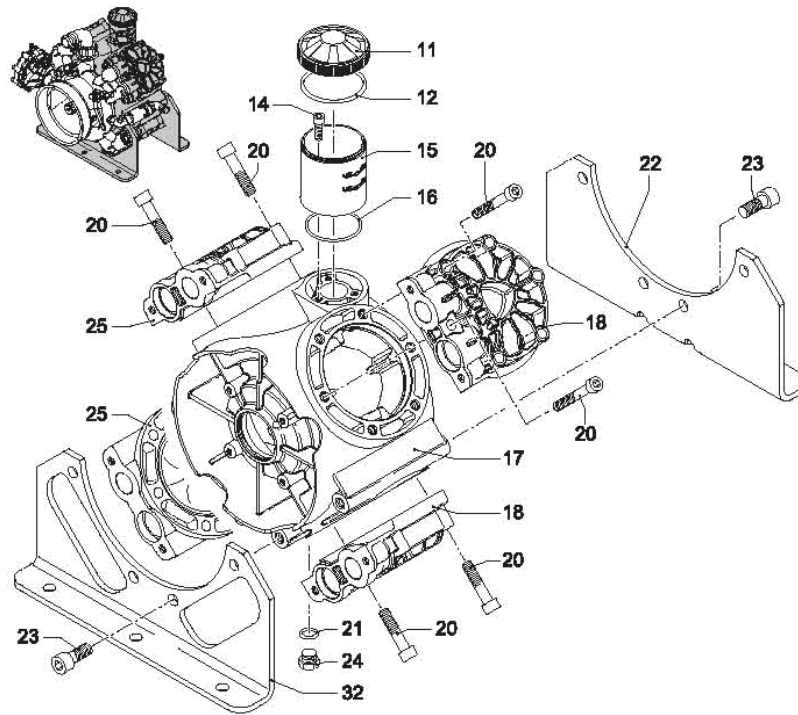
79	9910-650542	O-Ring		1
80	9910-851700	Air Valve		1
81	9910-KIT1528	Pulsation Damper Assembly		1
82	9910-390311	Washer		3
83	9910-740290	O-Ring		1
84	9910-850110	Piston Sleeve w/o Bleed Hole		2
85	9910-110130	Hose Barb 1/2"		2
86	9910-130492	Outlet Ball Valve w/Barb		1
88	9910-851720	O-Ring		1
89	9910-330170	Plug		2
92	9910-851691	Disc		1
	9910-KIT1734	Diaphragm Kit Desmopan	Ref. # 51	4
			64	8
	9910-KIT1965	Valve Kit	Ref. # 19	8
			70	8
	9910-KIT1744	O-Ring Kit	Ref. # 2	1
			5	2
			12	1
			19	8
			21	1
			29	4
			34	1
			36	2
			59	1
			64	8
			70	8
	72	1		
	75	1		
	83	1		

Note: Torque specifications on page 4

SP-200239

Pump Model 9910-DBA160

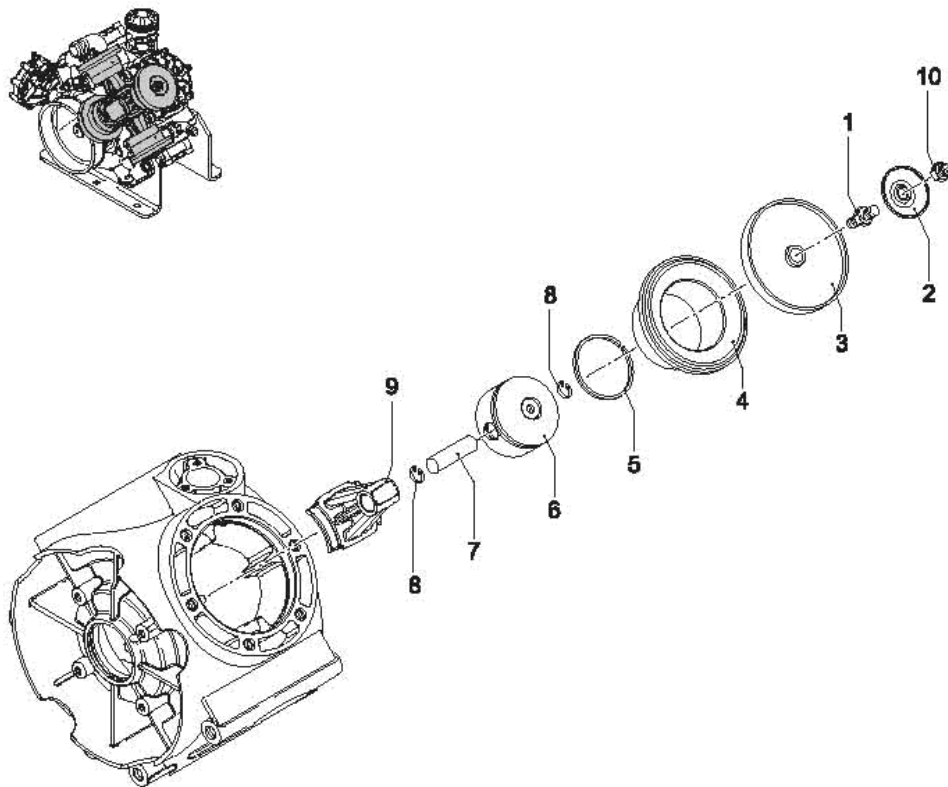
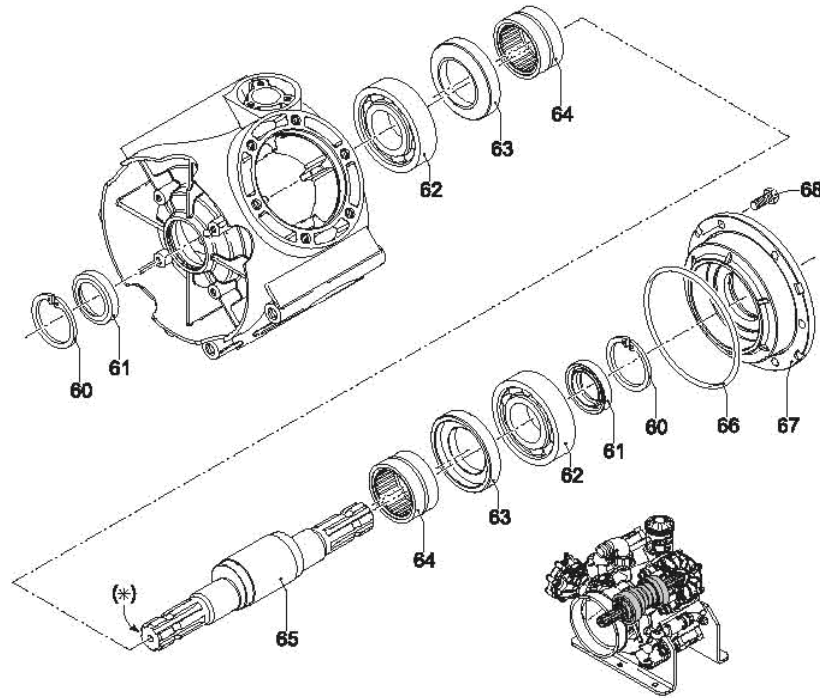
Serial # 1047 and Above Fit Machine SP-1



Note: Continued on page 32, and 33 with Legend.

Pump Model 9910-DBA160

Serial # 1047 and Above Fit Machine SP-1



Note: Continued on page 32, and 33 with Legend.

Pump Model 9910-DBA160

Serial # 1047 and Above
Fit Machine SP-1

1	9910-2240100	Diaphragm Pin	4
2	9910-580090	Retaining Washer	4
3	9910-2240080	Diaphragm, Buna	4
4	99102240050	Sleeve	4
5	9910-260230	Piston ring	4
6	9910-2240060	Piston	4
7	9910-260700	Piston Pin	4
8	9910-160691	Pin Ring	8
9	9910-2380050	Connecting Rod	4
10	9910-2240110	Nut	4
11	9910-1800060	Cap (Black)	1
12	9910-1040060	O-Ring	1
14	9910-540290	Bolt	3
15	9910-2240070	Oil Sight Glass	1
16	9910-2240270	O-Ring	1
17	9910-2380010	Pump Body	1
18	9910-2240450	Right Head	2
20	9910-2240470	Bolt	24
21	9910-180101	O-Ring	1
22	9910-2380010	Base	1
23	9910-2380060	Bolt	8
24	9910-820361	Plug	1
25	9910-2240451	Left Head	2
27	9910-180020	Air Valve	1
28	9910-650542	Gasket	1
29	9910-621781	Bolt	8
30	9910-629211	Upper Air Chamber	1
31	9910-550190	Air Chamber Diaphragm	1
32	9910-2380030	Base	1
33	9910-1520770	Lower Air Chamber	1
34	9910-1520740	Threaded Adapter	8

Note: Torque specifications on page 4

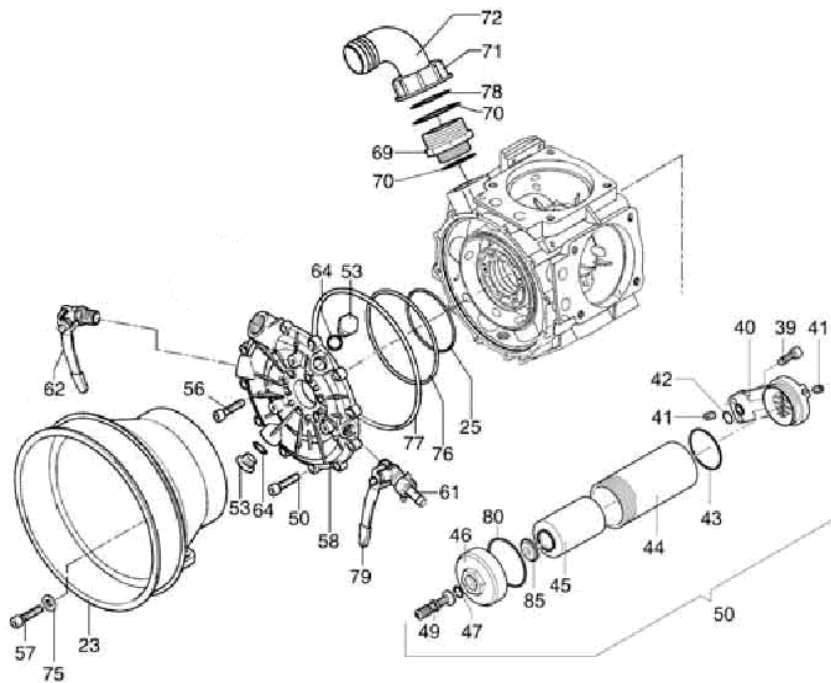
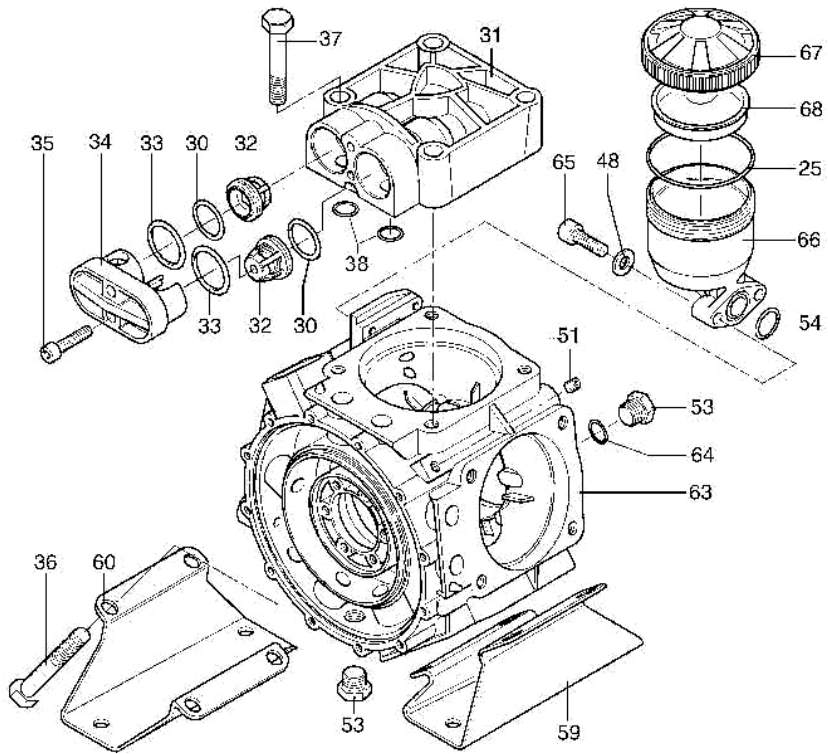
Pump Model 9910-DBA160

Serial # 1047 and Above
Fit Machine SP-1

35	9910-720030	O-Ring	1
36	9910-540550	Elbow	1
37	9910-540540	Ring Nut	1
38	9910-250310	O-Ring	8
39	9910-680070	O-Ring	8
40	9910-759051	Complete Valve	8
41	9910-130491	Right Valve	1
42	9910-110130	Hose Barb 1/2"	2
43	9910-2240260	Valve Elbow	2
45	9910-650330	Bolt	8
46	9910-880581	Cap, Brass	1
47	9910-820510	O-Ring	1
48	9910-2380070	Manifold	4
50	9910-390311	Washer	4
51	9910-1500470	Shield	1
52	9910-851650	Outlet Elbow	1
53	9910-130492	Left Valve	1
54	2406-0023	Plug	2
60	9910-2240160	Snap Ring	2
61	9910-2240150	Seal Ring	2
62	9910-2240430	Bearing	2
63	9910-2240121	Con Rod Ring	2
64	9910-850320	Roller Bearing	2
65	9910-2240173	Crankshaft	1
66	9910-2240290	O-Ring	1
67	9910-2240020	Flange	1
68	9910-160670	Bolt	6
	9910-kIT2456	Diaphragm Kit (Ref. # 3)	4
	9910-KIT2374	Valve Kit (Ref. # 39 and 40)	8
	9910-KIT2457	O-Ring (Ref. # 12	1
		16	1
		21	1
		35	1
		38	1
		39	8
		47	1
		66	1

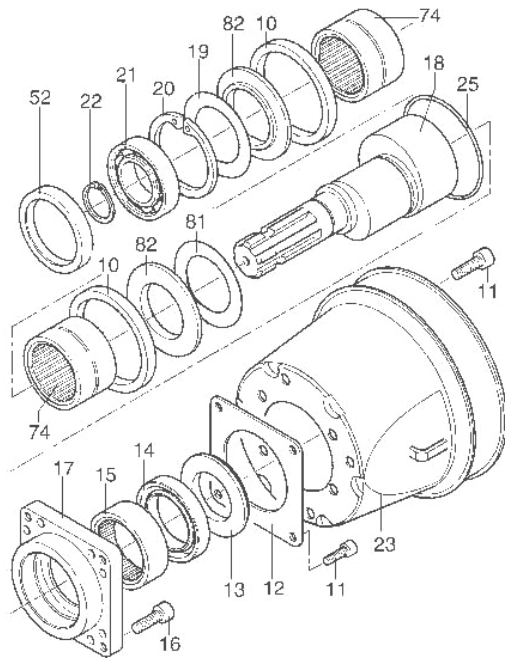
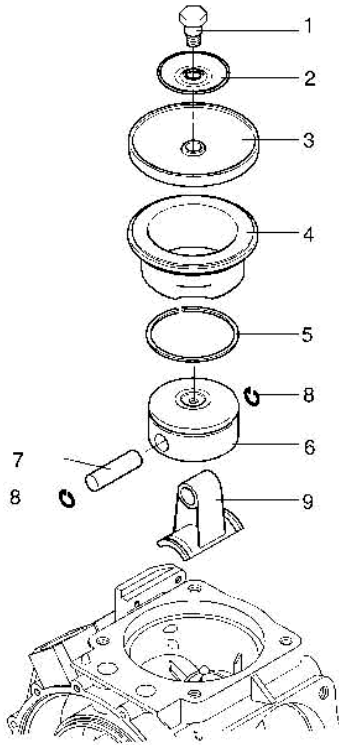
Note: Torque specifications on page 4

Lewis Brothers # SP-200202
Pump Model 9910-D1265
Fit Machine SP-2



Note: Continued on page 36,37, and 38 with Legend

Lewis Brothers # SP-200202
Pump Model 9910-D1265
Fit Machine SP-2



Note: Continued on page 36,37, and 38 with Legend

Pump Model 9910-D1265

Fit Machine SP-2

1	9910-580360	Retaining Bolt	5
2	9910-1040180	Diaphragm Retainer Washer	5
3	9910-1040080	Diaphragm-Desmopan	5
4	9910-1500080	Piston Sleeve	5
5	9910-650190	Piston Ring	5
6	9910-1040120	Piston	5
7	9910-1040070	Connecting Pin	5
8	9910-1040270	Snap Ring	10
9	9910-1840110	Connection Rod	5
10	9910-1500181	Retaining Ring	2
11	9910-820670	Bolt	4
12	9910-1400140	Flange	1
13	9910-1400110	Support Washer	1
14	9910-1400150	Seal	1
15	9910-650200	Needle Bearing	1
16	9910-180030	Bolt	8
17	9910-1400040	Flange	1
18	9910-1400320	Crankshaft	1
19	9910-1400090	Spacer	1
20	9910-161050	Retainer Ring	1
21	9910-1409010	Bearing	1
22	9910-1040570	Retainer Ring	1
23	9910-1500470	Shield	1
24	9910-1400030	Flange	1
25	9910-1040060	O-Ring	3
26	9910-160740	Seal Ring	1
27	9910-1500290	Bearing	2
28	9910-1500310	Spacer	1
29	9910-1400310	Shaft	1
30	9910-620030	O-Ring	10
31	9910-1040551	Head-Right (DX)	2
	9910-1040552	Head-Left (SX)	3
32	9910-1409050	Valve Assembly	10
33	9910-540361	O-Ring	10

Note: Torque specifications on page 5

Pump Model 9910-D1265

Fit Machine SP-2

34	9910-1300190	Valve Retainer	5
35	9910-620610	Bolt	10
36	9910-1400260	Bolt	16
37	9910-1500240	Bolt	4
38	9910-770571	O-Ring	10
39	9910-320360	Bolt	2
40	9910-1800320	Mount	1
41	9910-1040470	Plug	2
42	9910-640070	O-Ring	1
43	9910-540360	O-Ring	1
44	9910-1800280	Pulsation Damper Body	1
45	9910-1800300	Diaphragm	1
46	9910-1800270	Pulsation Damper Cap	1
47	9910-650542	O-Ring	1
48	9910-380241	Washer	2
49	9910-1800350	Air Valve	1
50	9910-KIT1538	Pulsation Damper Assembly	1
51	9910-770070	Plug	1
52	9910-1040050	Oil Seal	1
53	2406-0023	Plug	5
56	9910-540290	Bolt	18
57	9910-1343510	Bolt	3
58	9910-1840140	Manifold	1
59	9910-1400050	Right Base	1
60	9910-1400060	Left Base	1
61	9910-110130	Hose Barb 1/2"	2
62	9910-130491	Outlet Ball Valve w/o Barb	1
63	9910-1840130	Pump Body	1
64	9910-740290	O-Ring	3
65	9910-680350	Bolt	2
66	9910-680030	Oil Reservoir	1

Note: Torque specifications on page 5

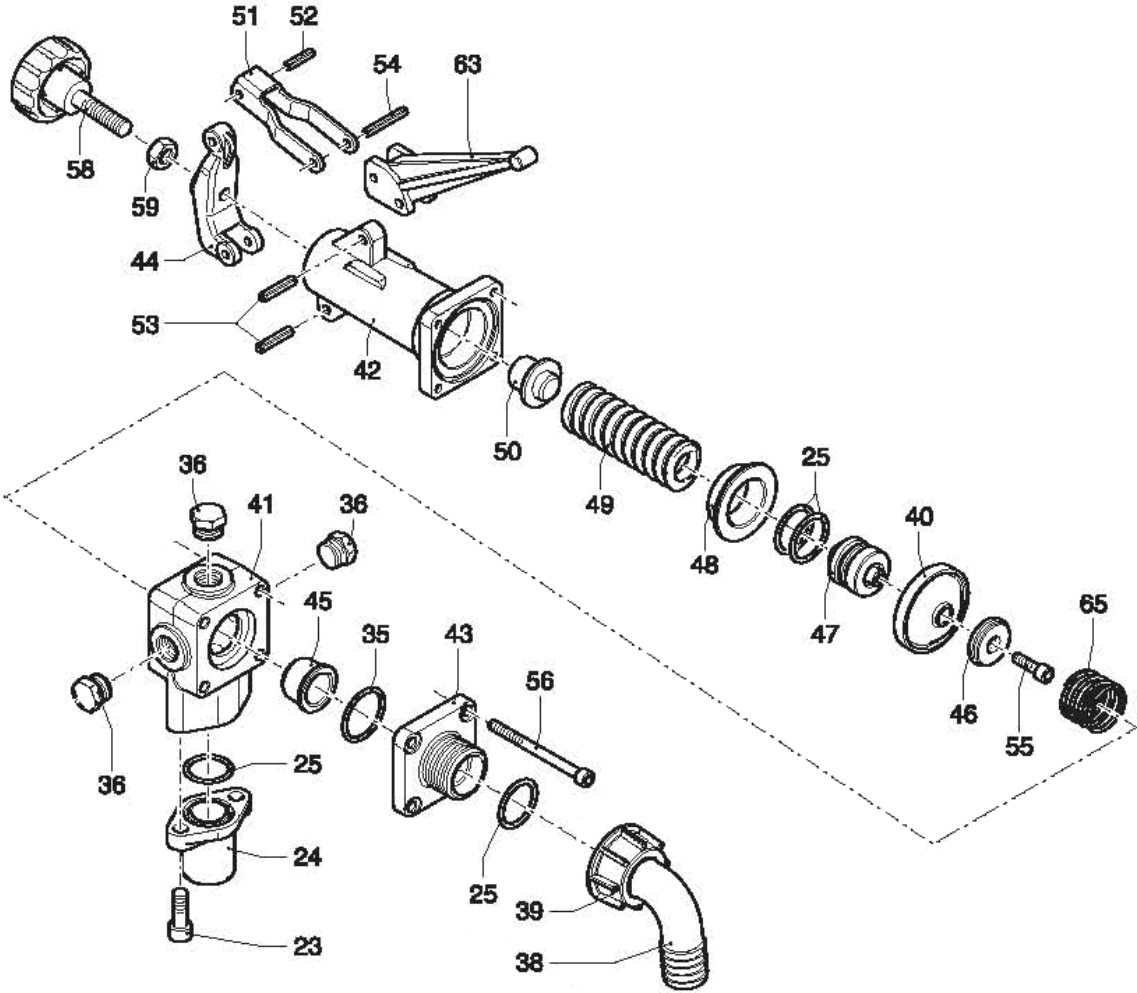
Pump Model 9910-D1265

Fit Machine SP-2

67	9910-1800060	Black Cap		1
68	9910-680040	Oil Breather Cap		1
69	9910-540530	Threaded Adapter		1
70	9910-250310	O-Ring		2
71	9910-540540	Hose Barb Nut		1
72	9910-540550	Hose Barb		1
73	9910-1500320	Spacer		2
74	9910-1500170	Bearing		2
75	9910-881710	Washer		3
76	9910-851360	O-Ring		1
77	9910-1400290	O-Ring		1
78	9910-390210	O-Ring		1
79	9910-130492	Outlet Ball Valve With Barb		1
80	9910-650560	Dampener O-Ring		1
81	9910-1500100	Spacer		1
82	9910-1500150	Spacer		2
83	9910-1400011	Pump Body		1
84	9910-1400280	Manifold		1
85	9910-1800310	Plate		1
	9910-KIT2100	Diaphragm Kit – Desmopan	Ref. # 3 38	5 10
	9910-KIT2024	Valve Kit	Ref. # 30 32 33	10 10 10
	9910-KIT2347	O-Ring Kit	Ref. # 25 30 33 38 42 43 54 64 70 76 77 78	3 10 10 10 1 1 2 3 2 1 1 1

Note: Torque specifications on page5

Relief Valve

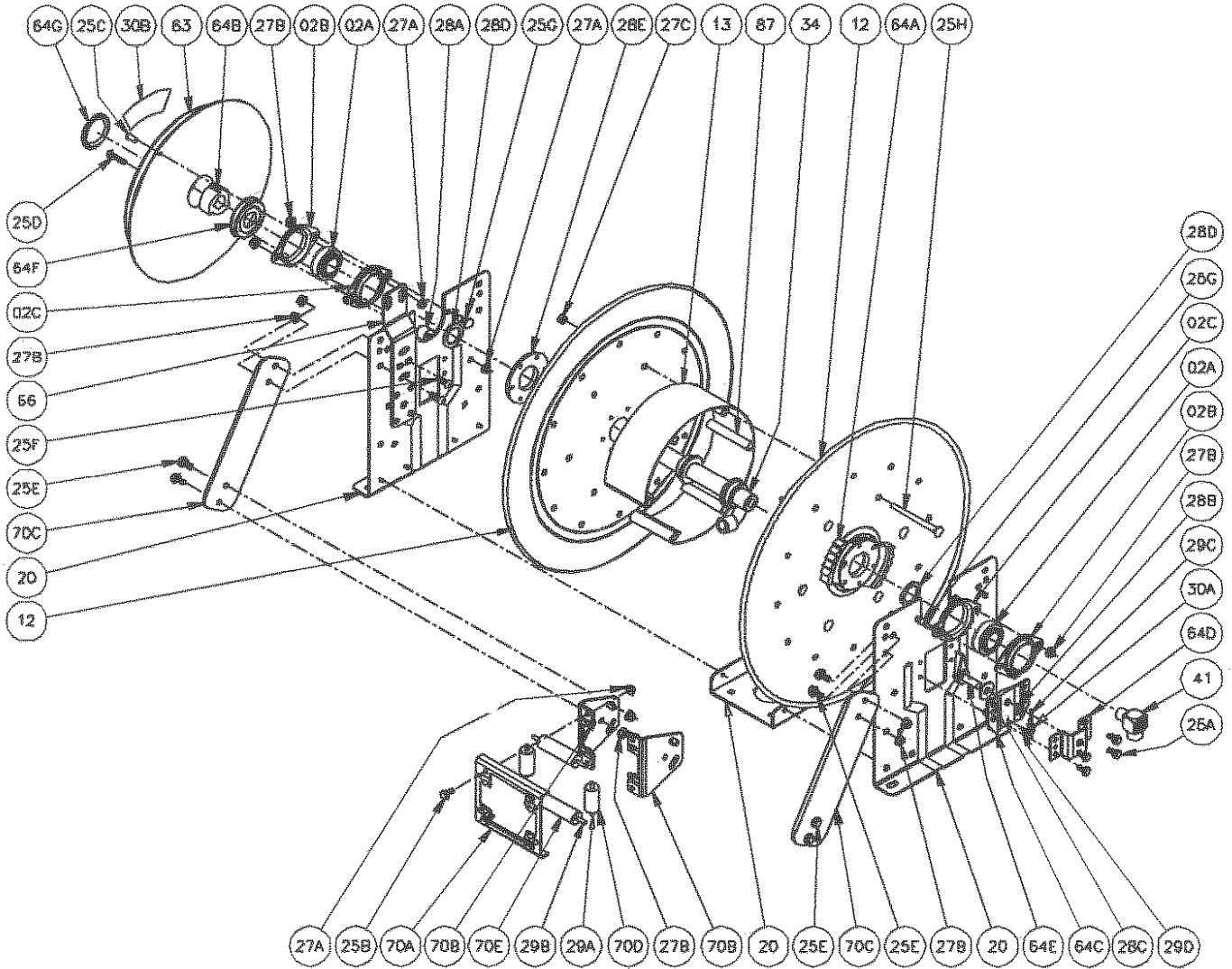


Relief Valve

23	9910-620610	Bolt		2
24	9910-550394	Flange 3/4" G(F)		1
25	9910-550350	O-Ring		4
35	9910-280220	O-Ring		1
36	9910-130171	Plug		3
38	9910-550370	Elbow		1
39	9910-550242	Ring Nut		1
40	9910-390740	Diaphragm		1
41	9910-680412	Valve Body		1
42	9910-680423	Upper Valve Side		1
43	9910-680432	Discharge Flange		1
44	9910-680442	Tension Adjust Support		1
45	9910-680460	Valve Seat		1
46	9910-680470	Valve		1
47	9910-680480	Valve Piston		1
48	9910-680490	Piston Valve		1
49	9910-680500	Regulating Spring		1
50	9910-680510	Spring Guide		1
51	9910-680520	Lever Guide		1
52	9910-680530	Pin		1
53	9910-680540	Pin		2
54	9910-680550	Pin		1
55	9910-680700	Bolt		1
56	9910-680570	Bolt		4
58	9910-660130	Control Knob		1
59	9910-180150	Nut		1
63	9910-680452	Control Lever		1
65	9910-320420	Spring		1
	9910-KIT1936	Repair Kit	Ref. #	4
			25	1
			35	1
			38	1
			40	1
			45	1
			46	1
			65	1

Reel

Fit Machine SP-1



Note: Continued on page 42, 43 with Legend.

When Ordering Parts, Be Sure to Specify Complete Model Number and Serial Number of Reel. USE PART NUMBER !

Reel

Fit Machine SP-1

02B	9902.1500	Self-Aligning Bearing Insert	2
02B	9902.2800	Self-Aligning Bearing Holder	2
02C	9902.2801	Self-Aligning Bearing Holder (Slotted For N Series)	2
12	9903.0421	16-17, 15-3/4"Ø Disc (Specify Model and Front, Back)	2
12	9903.0821	19-20, 18-3/4"Ø Disc (Specify Model and Front, Back)	2
12	9903.1121	23,24, 22-3/4"Ø Disc (Specify Model and Front, Back)	2
12	9903.1621	25-26, 24-3/4"Ø Disc (Specify Model and Front, Back)	2
13	9905.0138	Drum, 10-1/2"Ø Wrap Around (Specify Model)	1
13	9905.0178	Drum, 15-1/2"Ø Wrap Around (Specify Model)	1
20	●●	Frame Assembly (Specify Model)	1
25A	9985.0055	5/16-18NC x 3/4" Thread Cutting Hex Head Bolt	4
25B	9904.2101	5/16" x 3/4" Spinlock Bolt	4
25C	9904.9101	5/16-18NC x 3/4" Hex Socket Button Head Cap Screw	1
25D	9904.9104	5/16-18NC x 1-1/2" Hex Socket Button Head Cap Screw	1
25E	9904.2201	3/8"-16NC x 3/4" Spinlock Bolt	6
25F	9904.9202	3/8-16NC x 1" Button Socket Head Cap Screw	2
25G	9904.4276	3/8-16NC x 7/8" panhead Knurled Bolt	4
25H	●●	Carriage Bolt w/Nut (Specify Model)	●
27A	9904.6100	5/16-18NC Spinlock Nut	4
27B	9904.6200	3/8-16NC Spinlock Nut	12
27C	9904.5200	3/8-16NC Hex Head Hut	6
28A	9922.0033	Spring Mounting Spacer (C&J)	1
28A	9922.0032	Spring Mounting Spacer (B,D, & G)	2
28B	9922.0022	Spacer, Ratchet Pawl	1
28C	9954.0008	1/2" Flat Washer	1
28D	9954.0021	1" Hub Washer	●
28E	9965.0015	Disc Washer	1
29A	9940.0190	1/4"Ø Stainless Steel Rod, 2-3/4" Long	2
29B	●●	1/4"Ø Stainless Steel Rod (Specify Model)	2
29C	9922.0024	1/8" x 1" Stainless Steel Cotter Pin for Pawl and Pin	1
29D	9922.0028	3/16" x 1" Stainless Steel Cotter Pin for N Series Ratchet	1
30A	9922.0008	Ratchet Locking Spring	1
30B	9922.0010	Spring Under Tension Caution (Decal)	1
34	9901.0631	1/2" FNPT Welded Barstock Steel Hub Assy. (Specify Model)	1
41	9927.8138	1/2" 90° MxF Swivel Joint	1

Swivel Seal Kit part # 36-0370

- Note: ● As Needed
●● Specify Model

Reel

Fit Machine SP-1

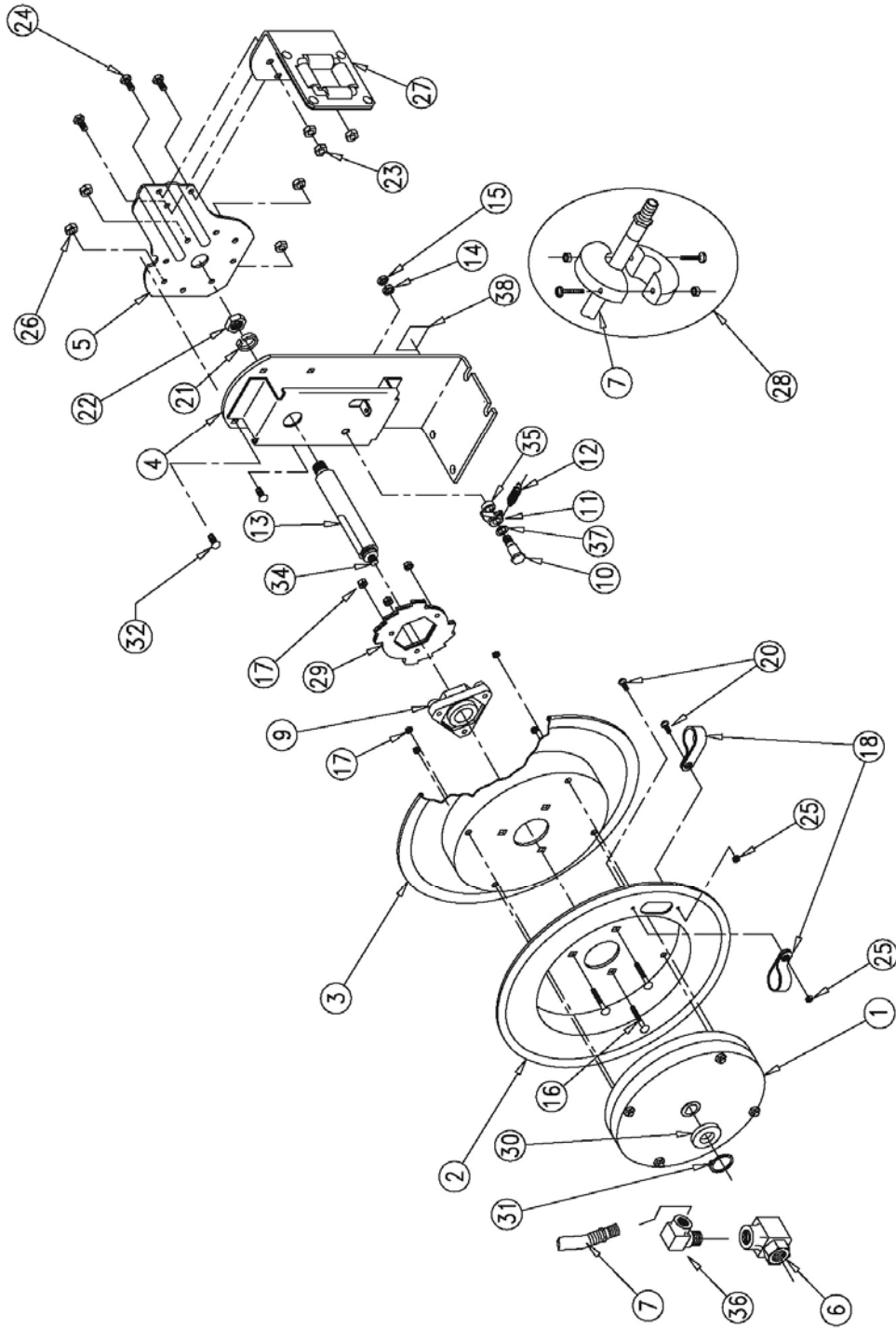
63	9921.0015	Spring Motor, B (Specify Model)	1
63	9921.0018	Spring Motor, C (Specify Model)	1
63	9921.0020	Spring Motor, D (Specify Model)	1
63	9921.0021	Spring Motor, G (Specify Model)	1
63	9921.0030	Spring Motor, J (Specify Model)	1
64A	9922.0015	Ratchet Wheel	1
64B	9922.0001	Spring Arbor for D Spring	1
64B	9922.0002	Spring Arbor for B, C, G, & J Spring	1
64C	9922.0027	Ratchet Pawl Housing, Inner (N Series)	1
64D	9922.0026	Ratchet Pawl Housing, Outer (N Series)	1
64E	9922.0020	Pawl and Pin	1
64F	9922.0036	Cap-Plug for Spring (Inner Slide)	1
64G	9922.0037	Cap-Plug for Spring (Outer Side)	1
66	9922.0050	Spring Mounting Bracket (N Series)	1
70A	●●	Roller Bracket Frame	1
70B	9940.0171	N Series Roller Mounting Bracket	2
70C	9941.0030	N Series Roller Arm Only (Specify Model)	2
70D	9940.0180	1"Ø x 2" Long Roller for Stamped Housing	2
70E	●●	1"Ø Roller for Stamped Housing	2
87	9904.3200	3/8" Spacer Pipe (Specify Length)	●

Swivel Seal Kit part # 36-0370

- Note: ● As Needed
 ●● Specify Model

Reel

Fit Machine SP-2

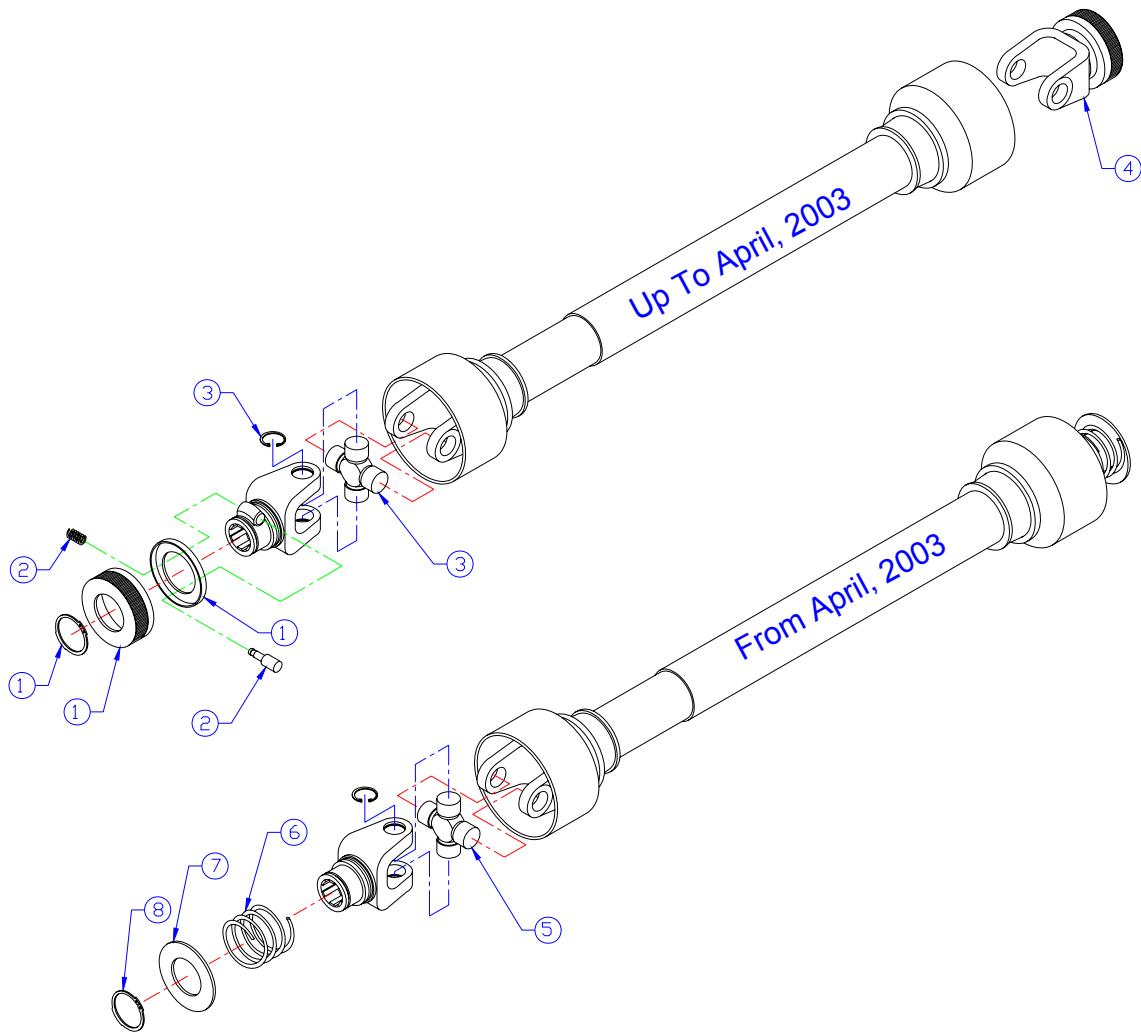


Reel

Fit Machine SP-2

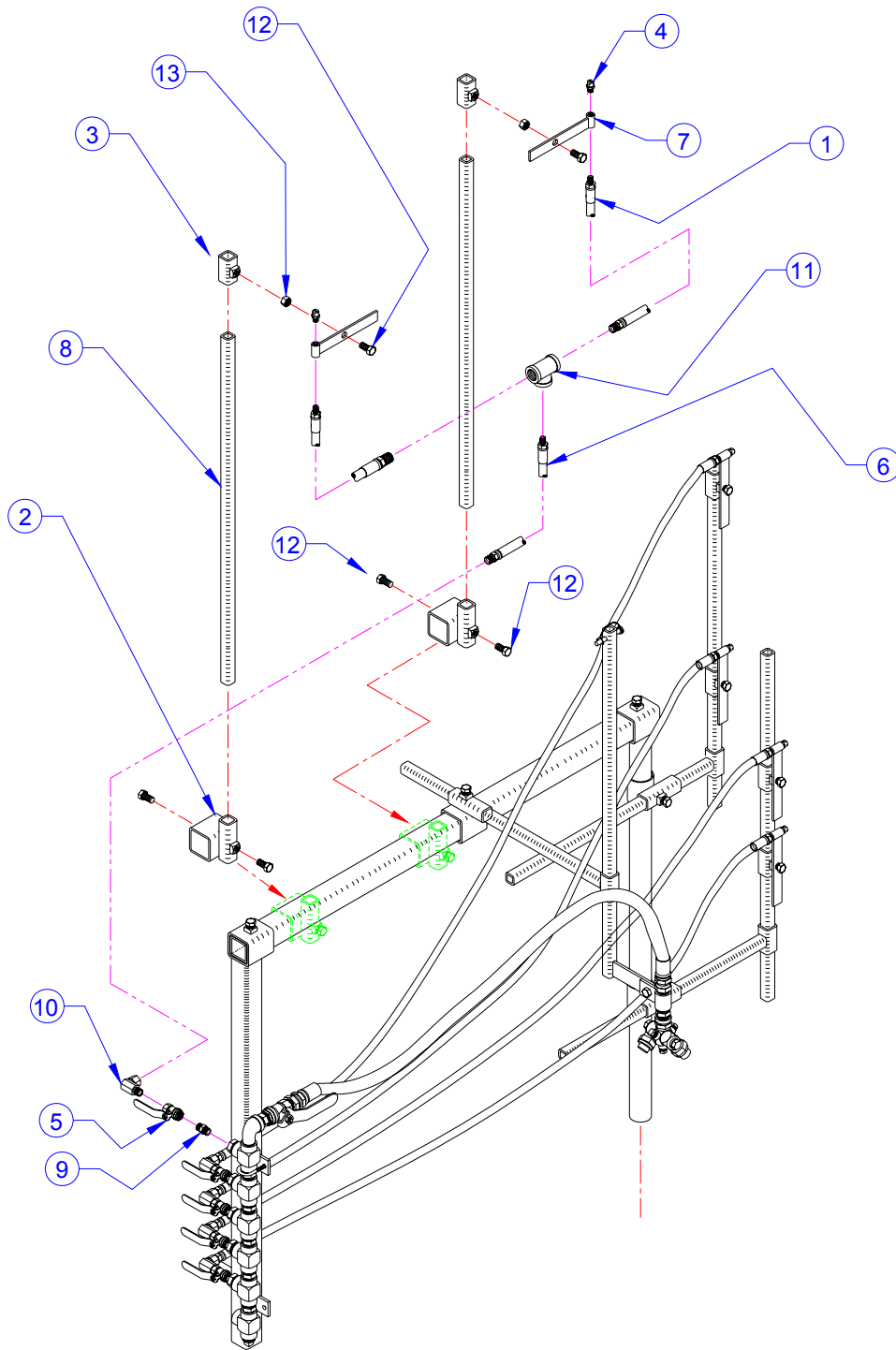
1	696-1	Spring
2	1703	Drum
3	1702	Drum
4	1743-2	Base
5	1732	Arm GD
6	439	Swivel
7	SP-200078	Hose
9	1776-3	Hub Bearing Assembly
10	1620	Bolt, Shoulder, 1/2" x 1-1/2"
11	640-1-SS	Cam LK
12	274-1-SS	Spring Dog
13	1794	Axle
14	437	Washer, Lock, 3/8
15	184	Nut, Jam, 3/8-16
16	1953	Bolt, Carriage, 1/2-20 x 1-1/2"
17	125	Nut, Keps, 1/4-20
18	383	Clamp
20	245	Bolt, 10-32 x 3/8
21	438	Washer, Lock, 5/8"
22	3584	Nut, Hex, 5/8-11
23	111	Nut, Lock, 5/16-18
24	312	Bolt, 5/16-18
25	130	Nut, Keps, 10-32
26	111-1	Nut, Lock, 5/16-18 Low Prof
27	1728-1	Roller Bracket
28	SP-200073	Ball Stop
29	1924	Lock Ring
30	1755-1	Washer, Spacer
31	1753	Retaining Ring (5160-75)
32	10220-75	Bolt, Carriage, 5/16-18 x 3/4
34	10235-SS	Setscrew, 3/8-16 x 1", SS
35	6440-SS	Washer, Spacer
37	6441-1	Washer, Spacer
38	10925-5	Label

Drive Shaft



1	BP240002451	Collar Assembly
2	BP40300001	Push Button and Spring
3	BP41204	U-Joint
4	BP572040351	Yoke
5	BP41204	U-Joint
6		Spring (Replace with Item #4)
7		Washer (Replace with Item #4)
8		Lock Ring (Replace with Item #4)

Nipple Washer



Nipple Washer

ITEM	PART #	DESCRIPTION
1	CS36	NIPPLE WASHER HOSE (TEE TO NOZZLE)
2	SP-200055	SLEEVE WELDMENT
3	SP200048	SPRAY NOZZLE MOUNT HOLDER WELDMENT
4	SP-200075	SPRAY NOZZLE (SS H1/4U-SS5020)
5	SP-200086	BALL VALVE 3/8
6	CS36A	HOSE NIPPLE WASHER (MANFOLD TO TEE)
7	SP-200066	MOUNT WELDMENT, 1/4" SPRAY NOZZLE
8	SP-200052	BOOM EXTENSION
9	SP-200085	3/8 COUPLING (M)
10	SP-200087	90° X 3/8" ELBOW
11	SP-200228	3/8 X 3/8 X 38(M) GALV. TEE
12	HW-208108SS	BOLT, STANLESS STEEL, 12-13NC X 1-1/2 LG
13	HW-300208ZG5	NUT, HEX, 12-13NC, GR5
	CS200	Nipple Washer Complete

Decal



Part # SP-200153



HK-100919



SP-200157

Decal

CAUTION!

PRIOR TO FREEZING WEATHER
THIS PUMP, REEL & HOSE MUST BE
FILLED WITH 100% ANTIFREEZE
REMOVE FILTER BOWL

#SP-200151

SP-200151

WARNING

PUMP WARRANTY VOID IF:

1. PUMP IS ALLOWED TO FREEZE.
2. USED WITH EXCESSIVE PRESSURE (700 psi MAX).
3. OVER EXTENDED TURNS CAUSE DRIVE LINE CHATTER.
4. PRESSURE RELIEF SEAL IS BROKEN.
5. PUMP OIL IS CONTAMINATED.

DIAPHRAMS ARE NOT WARRANTED.
THEY ARE A TIME CHANGE ITEM.

SP-200154



SP-200152

Decal



Part # HK-100899



Part # WR-600095



SP-200158