

**Lewis Brothers Mfg.**  
**Model # CB-1 Crustbuster**  
**Parts Book**



Manufactured by **LEWIS BROTHERS MANUFACTURING, INC.**

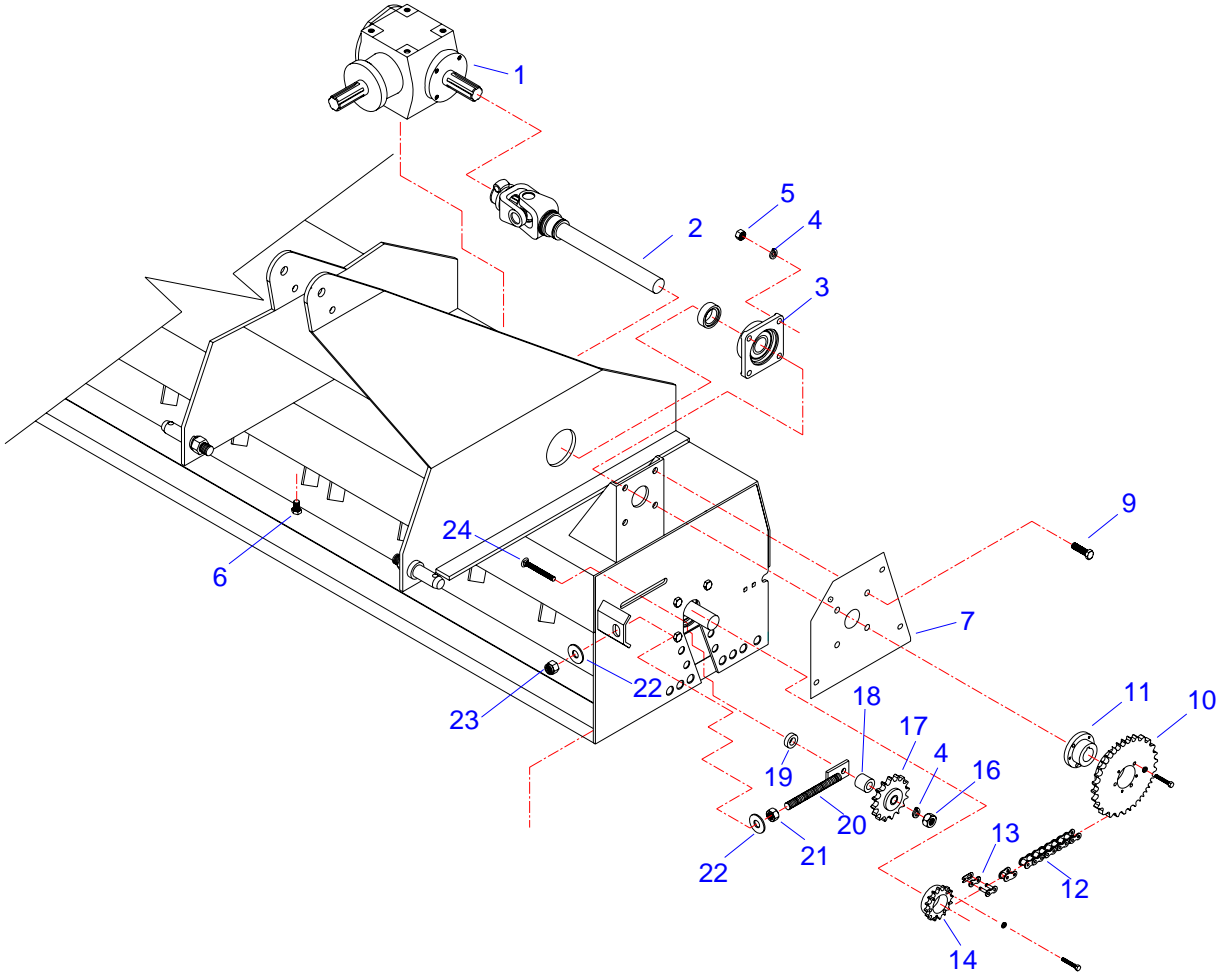
Post Office Box 146  
Baxley, GA. 31513  
Phone: (912) 367-4651  
Fax: (912)-367-3958

1-4-2023

# Table of Contents

|                       |      |
|-----------------------|------|
| Crustbuster Drive     | 3-4  |
| Cylinder              | 5    |
| Slides and Slot Cover | 6    |
| Guards and Rear Gate  | 7    |
| Drive Shaft           | 8    |
| Decal                 | 9-10 |

# Crustbuster drive



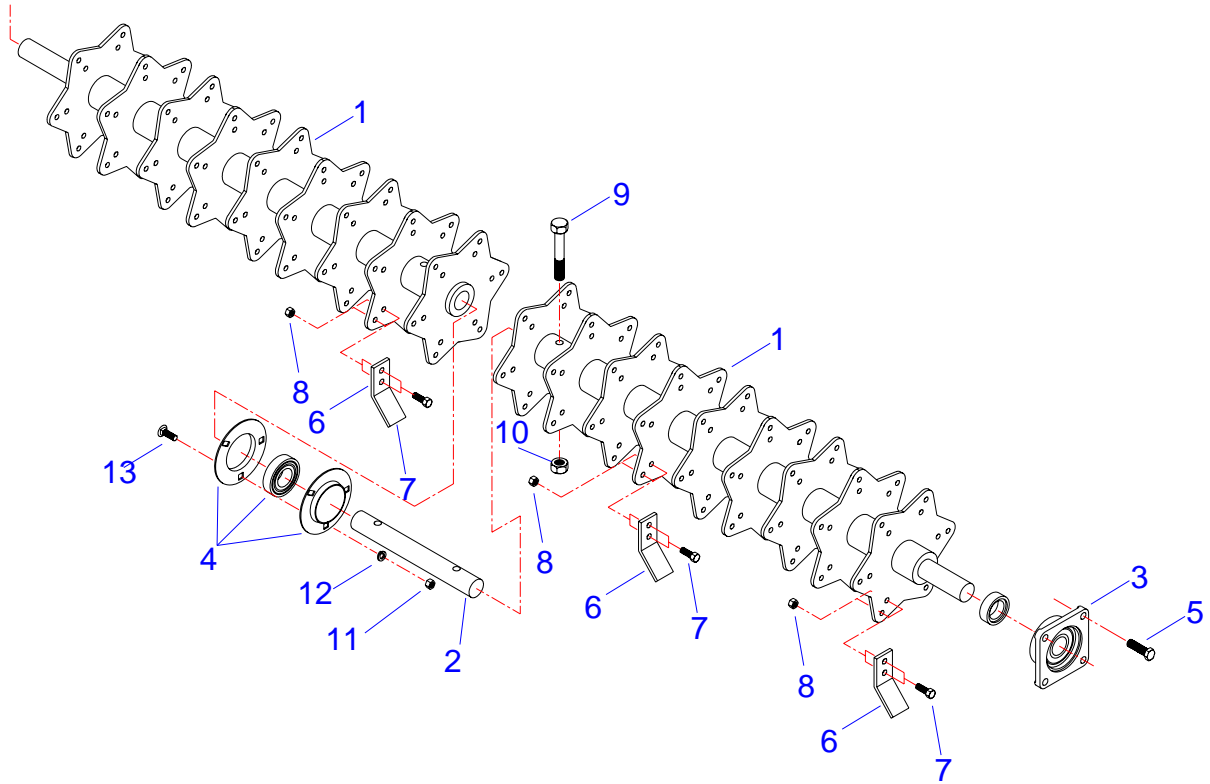
NOTE: GEAR OIL SAE 80W-90

# Crustbuster Drive

| Item # | Part #       | Description                               |
|--------|--------------|---|
| 1      | WR-100028    | Gear Box                                  |
| 2      | CB-400020    | Shaft Assembly                            |
| 3      | HK-100464    | Flange Bearing                            |
| 4      | HW-335208Z   | 1/2", Washer, Lock, Zinc Plated           |
| 5      | HW-300208ZG5 | Nut, Hex, 1/2-13NC, Zinc Plated, G5       |
| 6      | HW-960330    | 12MM-1.75 x 20MM lg, ZP, W/Shoulder       |
| 7      | CB-400246    | Chain Guard Back                          |
| 9      | HW-208110G5Z | Bolt, Hex Head, 1/2-13 x 1-3/4 LG, G5, ZP |
| 10     | CB-400002    | Sprocket 32 Tooth (Gear Box Drive)        |
| 11     | HK-100447    | Taper Bushing (Gear Box Drive)            |
| 12     | WR-600092    | # 60 Roller Chain HD                      |
| 13     | WR-600094    | # 60 Connect Link                         |
| 14     | HK-101230    | Sprocket 12 tooth (Cylinder)              |
| 15     |              |   |
| 16     | HW-301208SC  | Nut, Stover Lock, Hex, 1/2-13 NC          |
| 17     | CB-400019    | Idler Sprocket                            |
| 18     | CB-400049    | Spacer (7/8 LG )                          |
| 19     | CB-400048    | Spacer (3/8 LG )                          |
| 20     | CB-400045    | Chain Adjustment Rod                      |
| 21     | HW-300212ZG5 | Nut, Hex, 5/8-11, ZP, G5                  |
| 22     | HW-325212Z   | 5/8, USS, Flat Washer, ZP                 |
| 23     | HW-301212NEZ | Nut, Nylon Insert Lock, HEX, 5/8-11 NC    |
| 24     | HW-808124G5  | Bolt Carriage, 1/2-13 x 3-1/2 LG, G5      |
|        | WR-1000226   | U-Joint KIT                               |

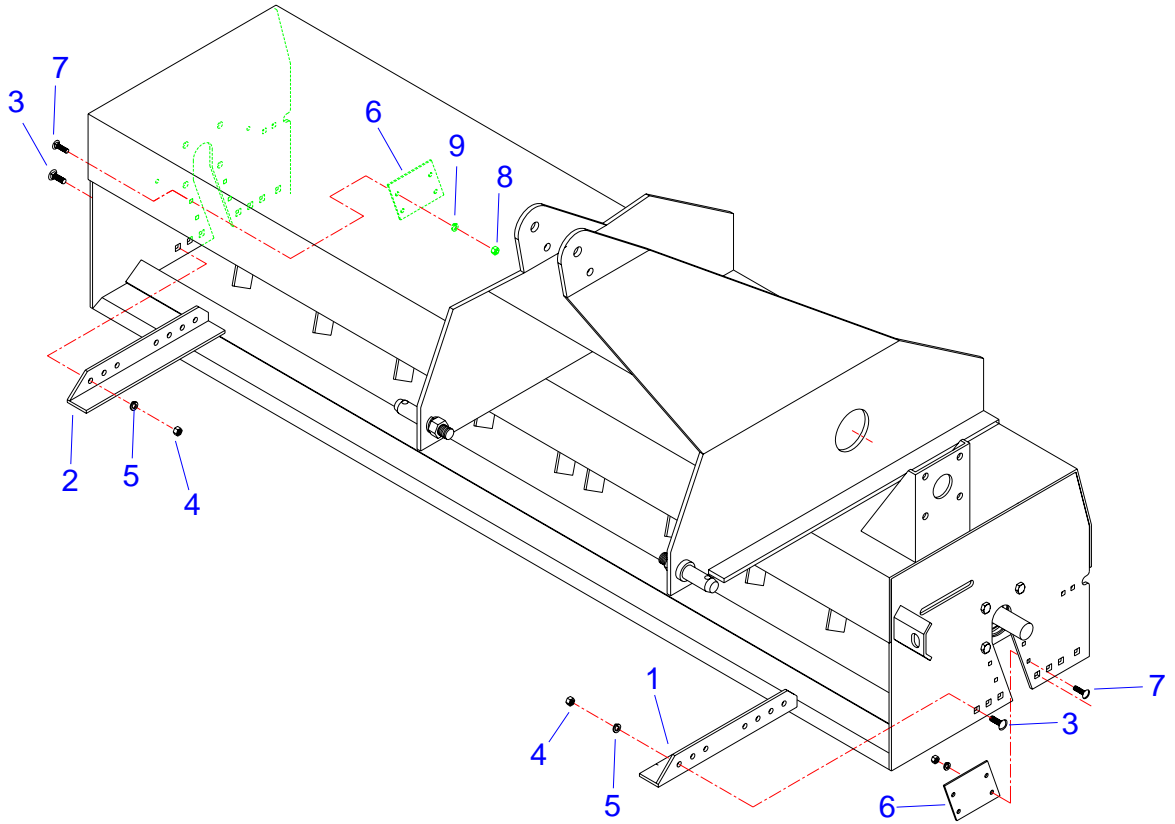
NOTE: GEAR OIL **SAE 80W-90**

# Cylinder



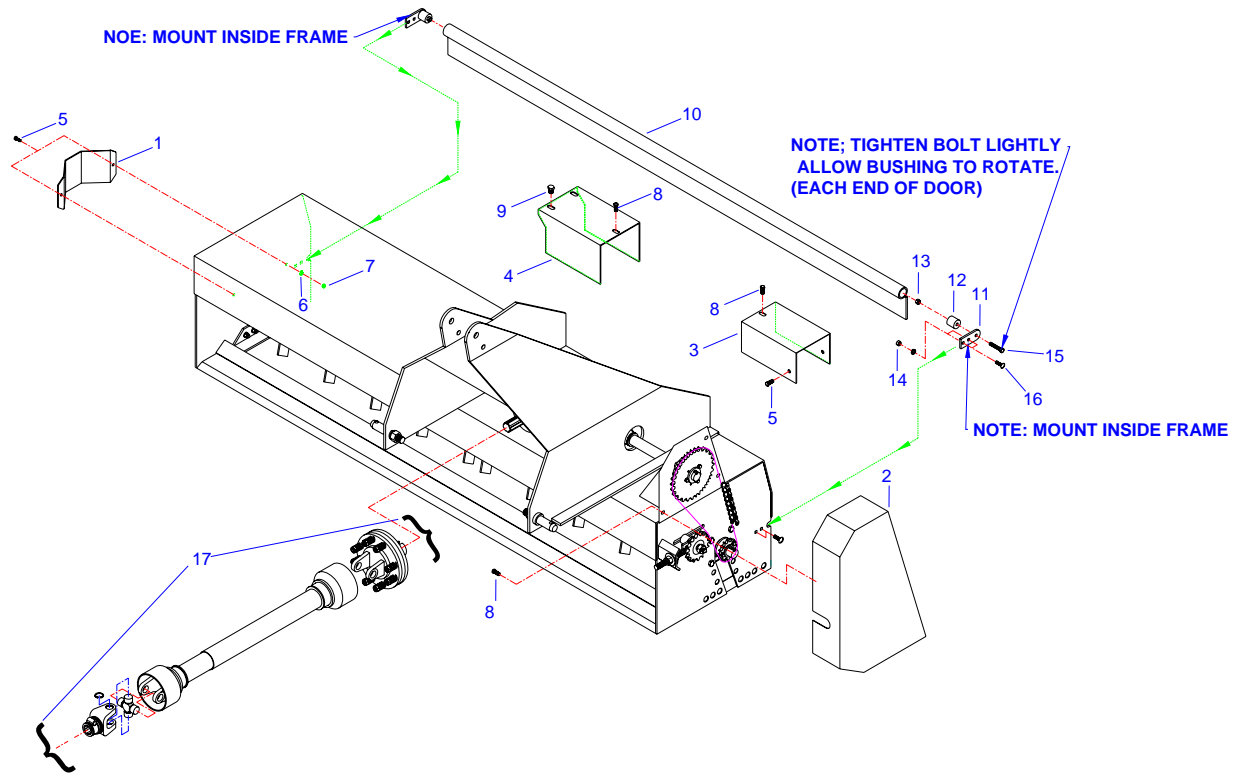
| Item # | Part #       | Description                               |
|--------|--------------|---|
| 1      | CB-200251    | Shaft (Two Required)                      |
| 2      | CB-200232    | Center Shaft                              |
| 3      | HK-100464    | Flange Bearing                            |
| 4      | CB-200010    | Center Bearing                            |
| 5      | HW-208110G5Z | Bolt, Hex Head, 1/2-13 x 1-3/4 LG, G5, ZP |
| 6      | CB-200225    | Crustbuster Knife (108 Required)          |
| 7      | HW-204104G5Z | Bolt, HH, 3/8-16 x 1 LG (216 Required)    |
| 8      | HW-301204TLZ | Nut, Top Lock, 3/8-16 ,ZP (216 Required)  |
| 9      | HW-208122G5Z | Bolt, HH, 1/2-13NC x 3-1/4 LG             |
| 10     | HW-301208SC  | Nut, stover Lock, Hex, 1/2-13 NC          |
| 11     | HW-300204ZG5 | Nut,Hex, 3/8-16, ZP                       |
| 12     | HW-335204Z   | 3/8 Washer Lock, ZP                       |
| 13     | HW-804104G5Z | Bolt, Carriage 3/8-16 x 1, ZP             |

# Slides and Slot Cover



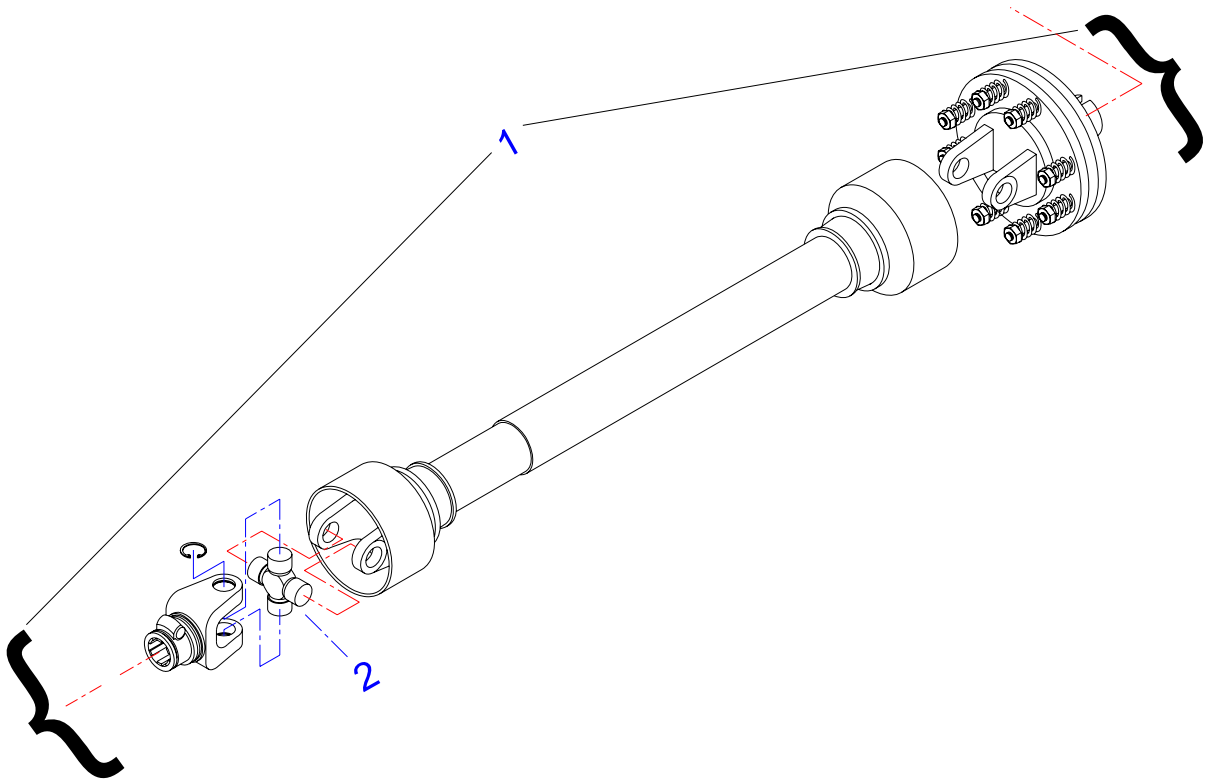
| Item # | Part #       | Description                     |
|--------|--------------|---------------------------------|
| 1      | CB-200127    | Slide Left Side                 |
| 2      | CB-200128    | Slide Right Side                |
| 3      | HW-804104G5Z | Bolt, Carriage 3/8-16 x 1", ZP  |
| 4      | HW-300204ZG5 | Nut, Hex, 3/8-16, ZP            |
| 5      | HW-335204Z   | 3/8 Washer Lock, ZP             |
| 6      | CB-200117    | Slot Cover                      |
| 7      | HW-802104    | Bolt, Carriage, 5/16-18 x 1" LG |
| 8      | HW-300202ZG5 | Nut, Hex, 5/16-18, ZP           |
| 9      | HW-335202Z   | 5/16, Washer, Lock, ZP          |

# Guards and Rear Gate



| Item # | Part #       | Description                                    |
|--------|--------------|--|
| 1      | CB-200055    | Bearing Cover                                  |
| 2      | CB-400240    | Chain Guard                                    |
| 3      | CB-400025    | Guard  |
| 4      | CB-400027    | Guard (Gear Box)                               |
| 5      | HW-200102G5Z | Bolt, Hex Head, 1/4-20 x 3/4 LG, G5, ZP        |
| 6      | HW-335200Z   | 1/4, Washer, Lock, ZP                          |
| 7      | HW-300200ZG5 | Nut, Hex, 1/4-20, ZP, G5                       |
| 8      | HW-204103G5Z | Bolt, Hex Head, 3/8-16 x 7/8, LG, G5, ZP       |
| 9      | HW-960318    | Bolt, Hex, 12MM-1.75 x 16MM LG, ZP, W/shoulder |
| 10     | CB-200400    | Rear Gate                                      |
| 11     | CB-200408    | Gate Mount Flat                                |
| 12     | 05-100851    | Bushing  |
| 13     | HW-301204TLZ | Nut, Top Lock, 3/8-16, ZP                      |
| 14     | HW-300204ZG5 | Nut, Hex, 3/8-16, ZP                           |
| 15     | HW-204112G5Z | Bolt, Hex Head, 3/8-16 x 2" LG, G5, ZP         |
| 16     | HW-804104G5Z | Bolt, Carriage 3/8-16 x 1" LG, ZP              |
| 17     | CB-400505    | Drive Shaft Complete (see page 8)              |

# Drive Shaft



| Item # | Part #    | Description                        |
|--------|-----------|------------------------------------|
| 1      | CB-400505 | Drive Shaft Complete               |
| 2      | WR-100026 | U-Joint Kit                        |
|        | 31971     | Torque Limiter disk (TWO REQUIRED) |



# Decal



HK-100919



HK-100916



HK-100899



HK-100912



HK-100986



HK-101853



HK-100908



WR-600061



DB-400166



HK-100907