

Lewis Brothers Mfg. Poultry House Blower Parts Book



Manufactured by **LEWIS BROTHERS MANUFACTURING, INC.**
Post Office Box 146
Baxley, GA. 31513
Phone: (912) 367-4651
Fax: (912)-367-3958

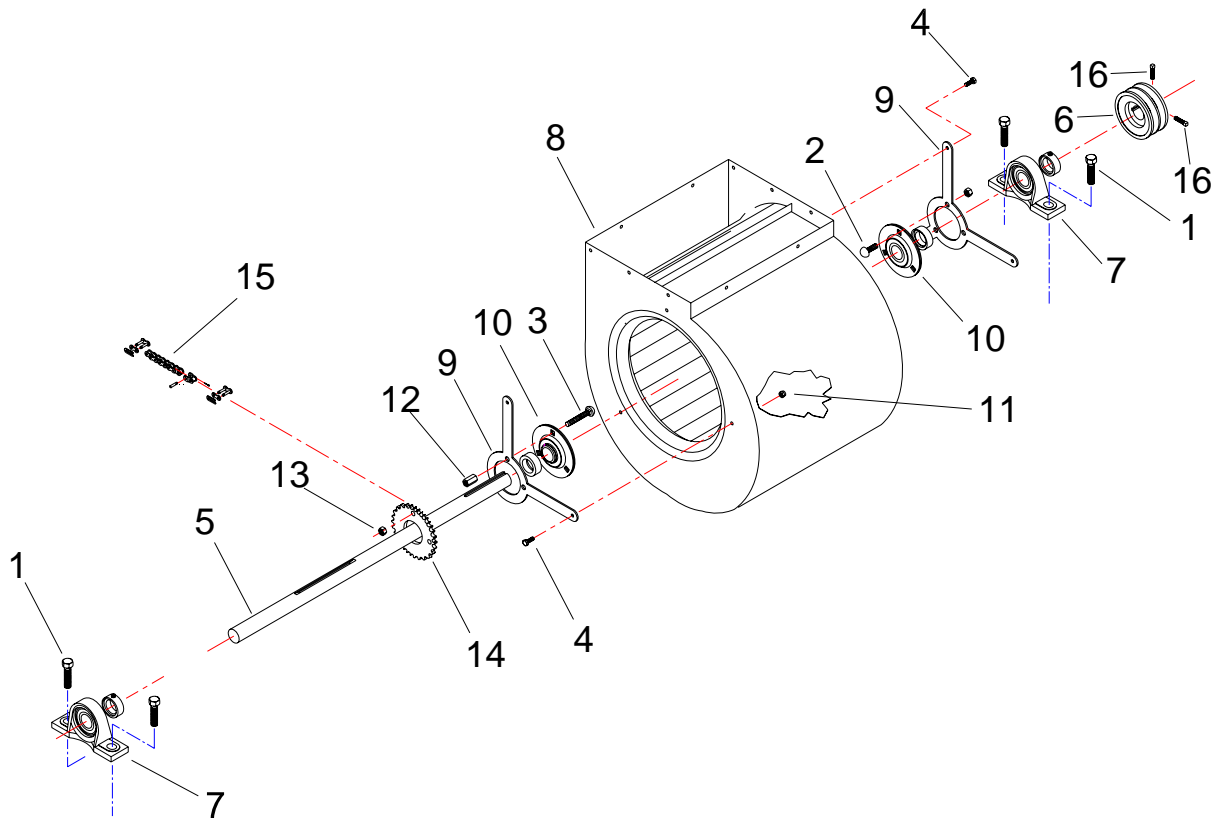
PB-10000-2

Table of Contents

Fan and Shaft Assembly	3-4
Input Shaft and Drive Shaft Assembly	5
Drive Shaft Assembly	6
Slide Assembly	7-8
Hydraulic Hose Kit	9
Chain Idler and lift Arm Pin	10
Volute Assembly	11
Plumbing	12-13
Pump	14
Saddle	15
Strainer	16

Fan and Shaft Assembly

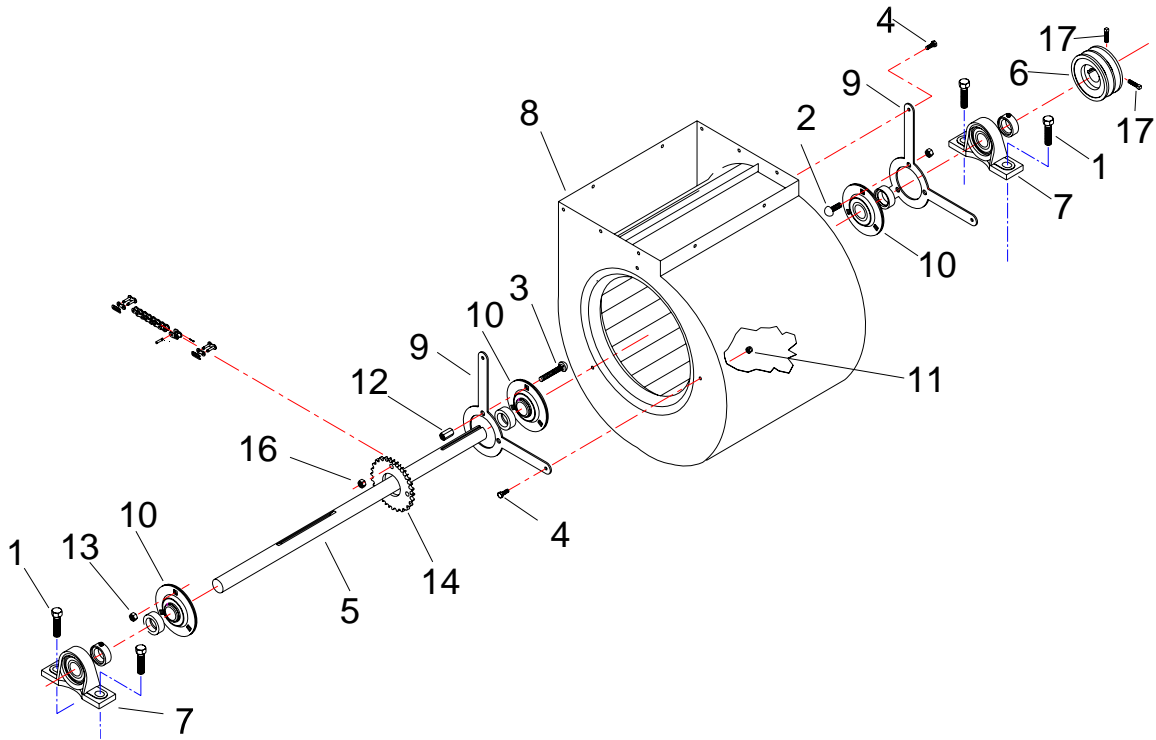
Serial # 161 and Before



1	HW-208112G5Z	BOLT, HH, 1/2-13NC X 2 LG
2	HW-804104	BOLT CARIAGE, 3/8-16NC X 1 LG
3	HW-808116G5	BOLT, CARIAGE, 3/8-16NC X 2-1/2 LG
4	HW-200102G5Z	BOLT, HH, 1/4-20NC X 3/4 LG
5	PB-800064	FAN SHAFT
6	HK-100551	FAN PULLEY
7	HK-100389	MOUNT BEARING
8	PB-800011	FAN ASSEMBLY
9	PB-800070	FAN BEARING MOUNT
10	PB-800053	FAN BEARING
11	HW-301201NEZ	NUT, NYLON LOCK, HEX, 1/4-20NC
12	PB-800026	COUPLING NUT, 3/8-16NC X 1-1/8 LG
13	HW-301204TLZ	NUT, TOP LOCK, 3/8-16NC, ZP
14	PB-800025	SPROCKET
15	PB-800013	#40 ROLLER CHAIN KIT
16	HW-624105QBC	SET SCREW, SQUARE, 5/16-18 X 3/4 LG
	PB-800020	FAN BELT (NOT SHOWN)

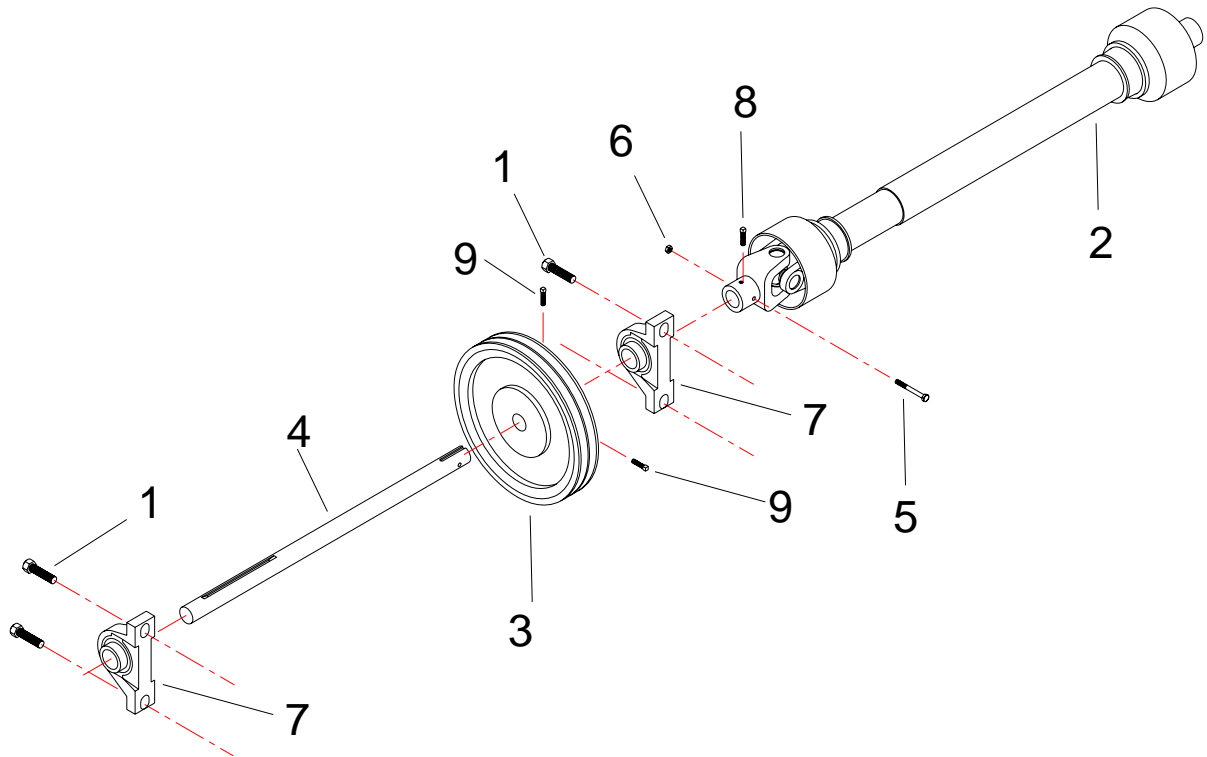
Fan and Shaft Assembly

After Serial # 161



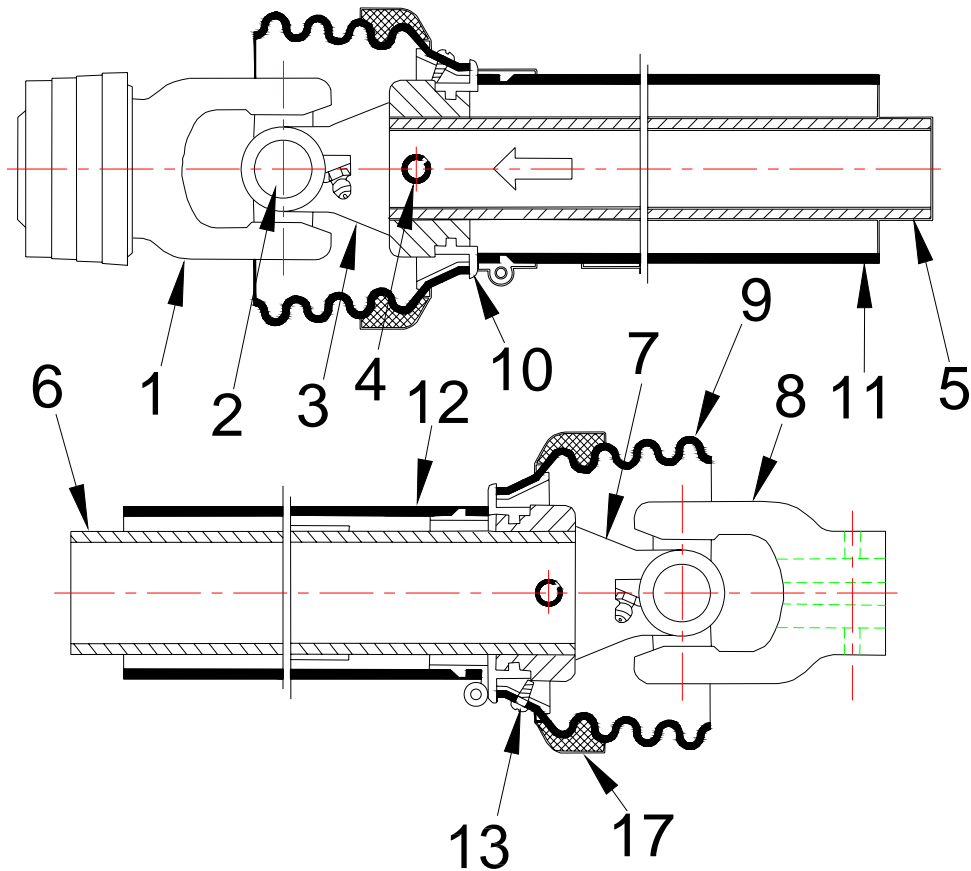
1	HW-208112G5Z	BOLT, HH, 1/2-13NC X 2 LG
2	HW-804104	BOLT CARIAGE, 3/8-16NC X 1 LG
3	HW-808116G5	BOLT, CARIAGE, 3/8-16NC X 2-1/2 LG
4	HW-200102G5Z	BOLT, HH, 1/4-20NC X 3/4 LG
5	PB-800064	FAN SHAFT
6	HK-100551	FAN PULLEY
7	HK-100389	MOUNT BEARING
8	PB-800011	FAN ASSEMBLY
9	PB-800070	FAN BEARING MOUNT
10	PB-800053	FAN BEARING
11	HW-301201NEZ	NUT, NYLON LOCK, HEX, 1/4-20NC
12	PB-800026	COUPLING NUT, 3/8-16NC X 1-1/8 LG
13	HW-301204TLZ	NUT, TOP LOCK, 3/8-16NC, ZP
14	PB-800025	SPROCKET
15	PB-800013	#40 ROLLER CHAIN KIT
16	HK-300204Z	NUT, HEX, 3/8-16NC, ZP
17	HW-624105QBC	SET SCREW, SQUARE, 5/16-18 X 3/4 LG
	PB-800020	FAN BELT (NOT SHOWN)

Input Shaft and Drive Shaft Assembly



1	HW-208112G5Z	BOLT, HH, 1/2-13NC X 2 LG
2	PB-800010	DRIVE SHAFT
3	PB-800012	INPUT SHAFT PULLEY
4	PB-800045	INPUT SHAFT
5	HW-200116G5Z	BOLT, HH, 1/4-20NC X 2-1/2 LG
6	HW-301201TL	NUT, TOP LOCK, 1/4-20NC, ZP
7	HK-100389	BEARING
8	HW-620117SQ	SET SCREW, SQUARE HEAD, 1/4-20NC X 1" LG
9	HW-624108QBC	SET SCREW, SQUARE HEAD, 5/16-18 X 1" LG
	PB-800020	FAN BELT (NOT SHOWN)

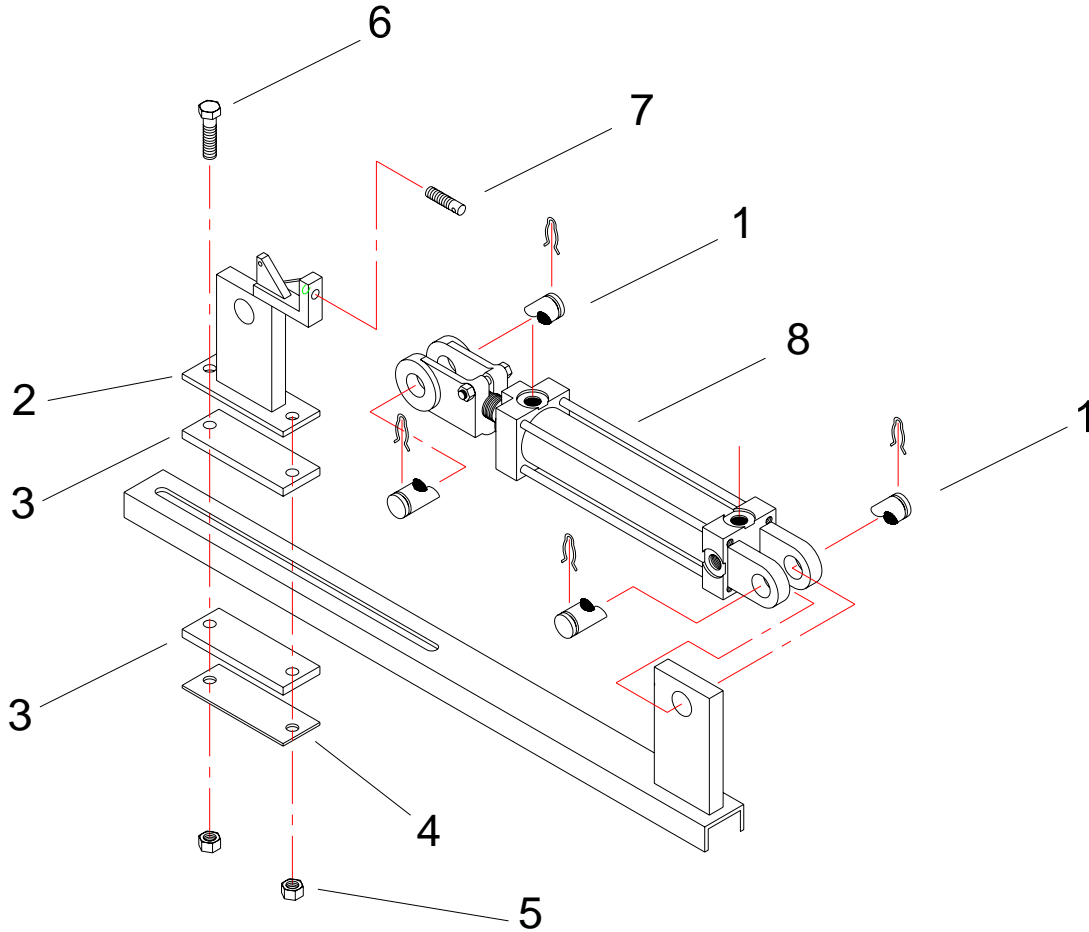
Drive Shaft Assembly



	PART #	DESCRIPTION	QTY
1	196837	YOKE ASGE	1
2	044439	CROSS & BEARING KIT	2
3	041C65	INBOARD YOKE 0v	1
4	020614	SPRING PIN, 10 X E5	2
5	047882	INNER PROFILE 0v	1
6	047892	OUTER PROFILE	1
7	041C68	INBOARD YOKE	1
8	370738	YOKE 1-3/16 RB, 1/4" KEYWAY	1
9	377234	GUARD CONE 4 RIB	2
10	087279	BEARING RING SC15	2
11	385689	GUARD TUBE OUTER	1
12	385C58	GUARD TUBE INNER	1
13	365305	SCREW-IN ITEM 9	2
17	359471	REINFORCING COLLAR	2
	390404	ASGE COLLAR KIT	

Slide Assembly

BEFORE SERIAL # 209

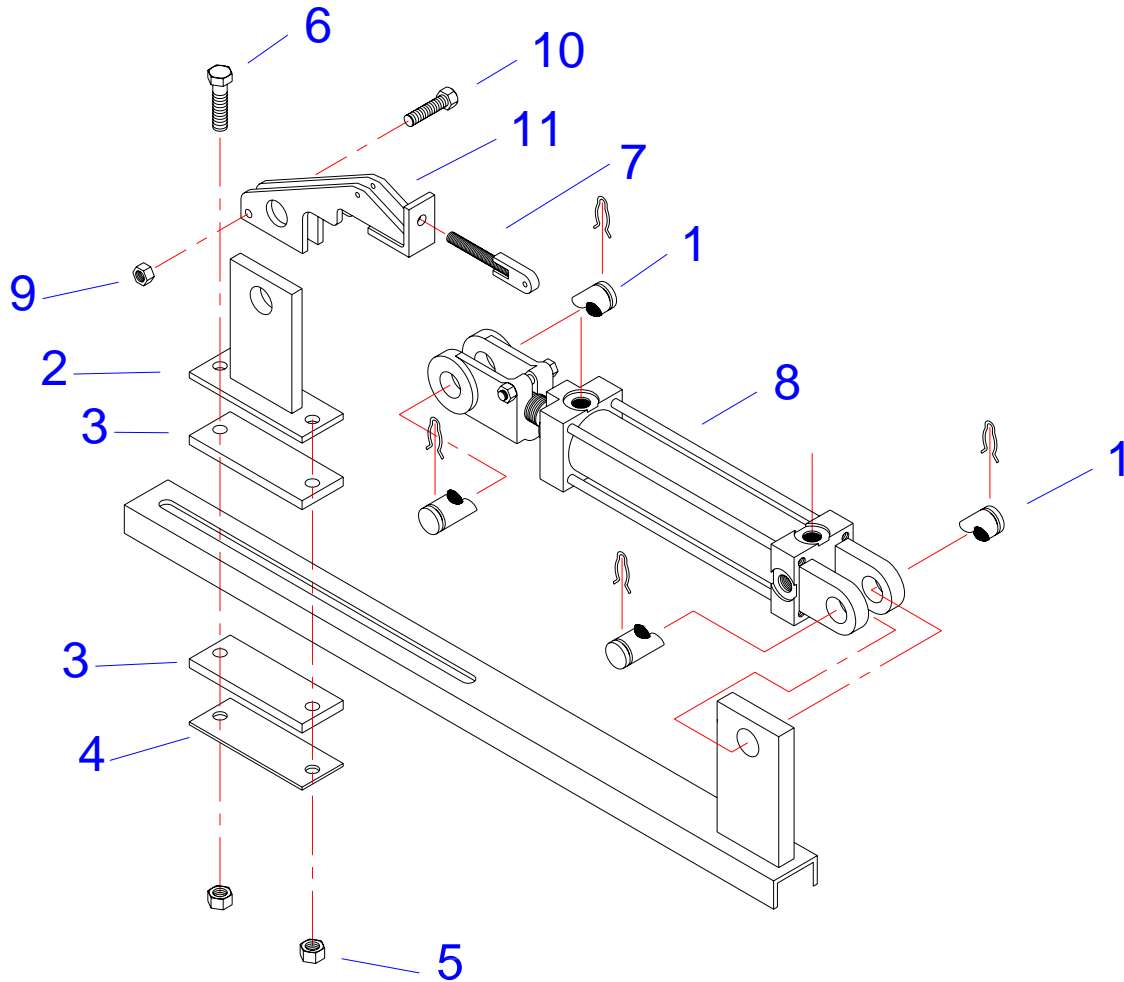


1	HK-101307	HYDRAULIC CYLINDER PIN
2	PB-800130	SLIDE CYLINDER MOUNT
3	PB-800133	SLIDE WEAR PLATE
4	PB-800132	SLIDE BOTTOM PLATE
5	HW-301208SC	NUT, STOVER LOCK, HEX, 1/2-13NC
6	HW-208112G5Z	BOLT,HH,1/2-13NC X 2 LG
7	PB-800140	CHAIN ADJUSTER
8	PB-800134	HYDRAULIC CYLINDER

NOTE: PACKING KIT FOR ITEM #8 PART # PMCK-W200000

Slide Assembly

AFTER SERIAL # 208

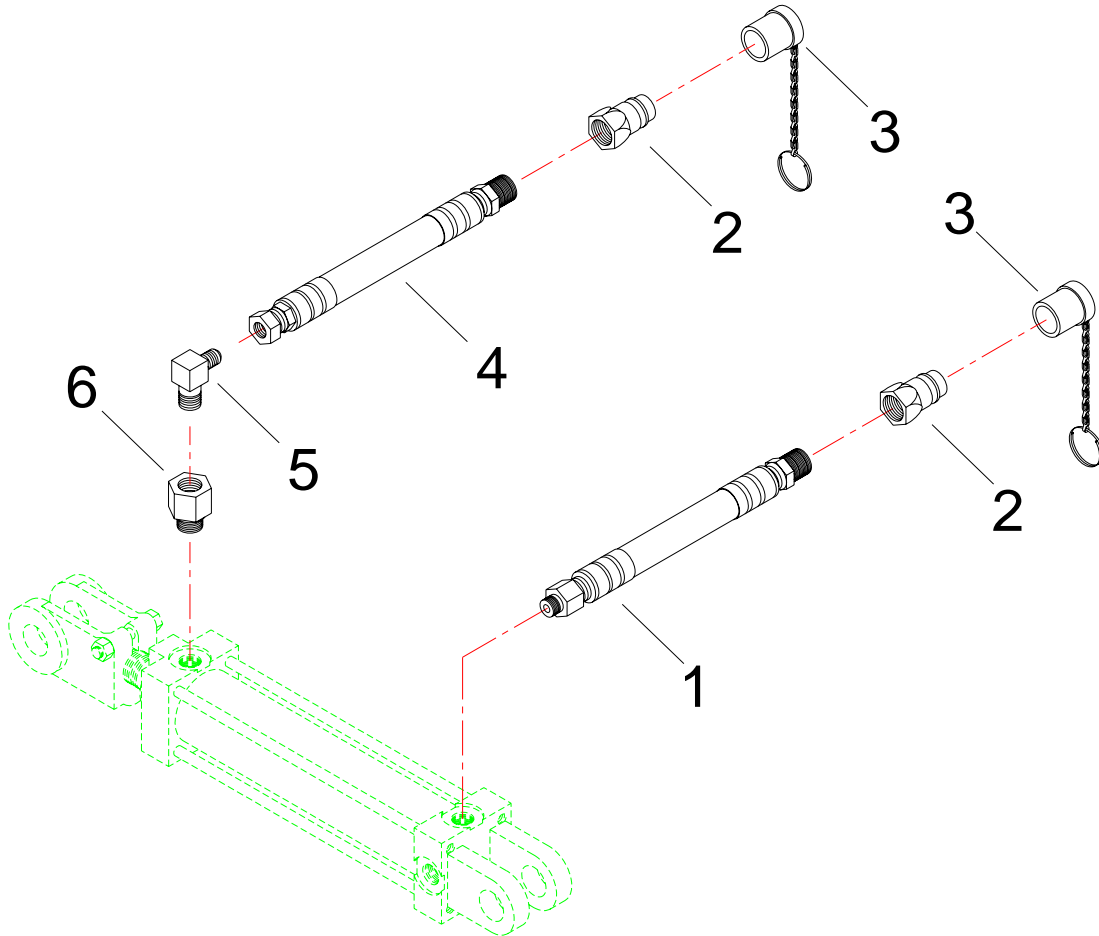


1	HK-101307	HYDRAULIC CYLINDER PIN
2	PB-800130	SLIDE CYLINDER MOUNT
3	PB-800133	SLIDE WEAR PLATE
4	PB-800132	SLIDE BOTTOM PLATE
5	HW-301208SC	NUT, STOVER LOCK, HEX, 1/2-13NC
6	HW-208112G5Z	BOLT, HH, 1/2-13NC X 2 LG
7	PB-800140	CHAIN ADJUSTER
8	PB-800134	HYDRAULIC CYLINDER
9	HW-301202TLZ	NUT, TOP LOCK, 5/16-18 NC
10	HW-202108G8C	BOLT, HH, 5/16-18NC X 1-1/2" LG, G8
11	PB-800139	CHAIN MOUNT

NOTE: PACKING KIT FOR ITEM #8 PART # PMCK-W200000

Hydraulic Hose Kit

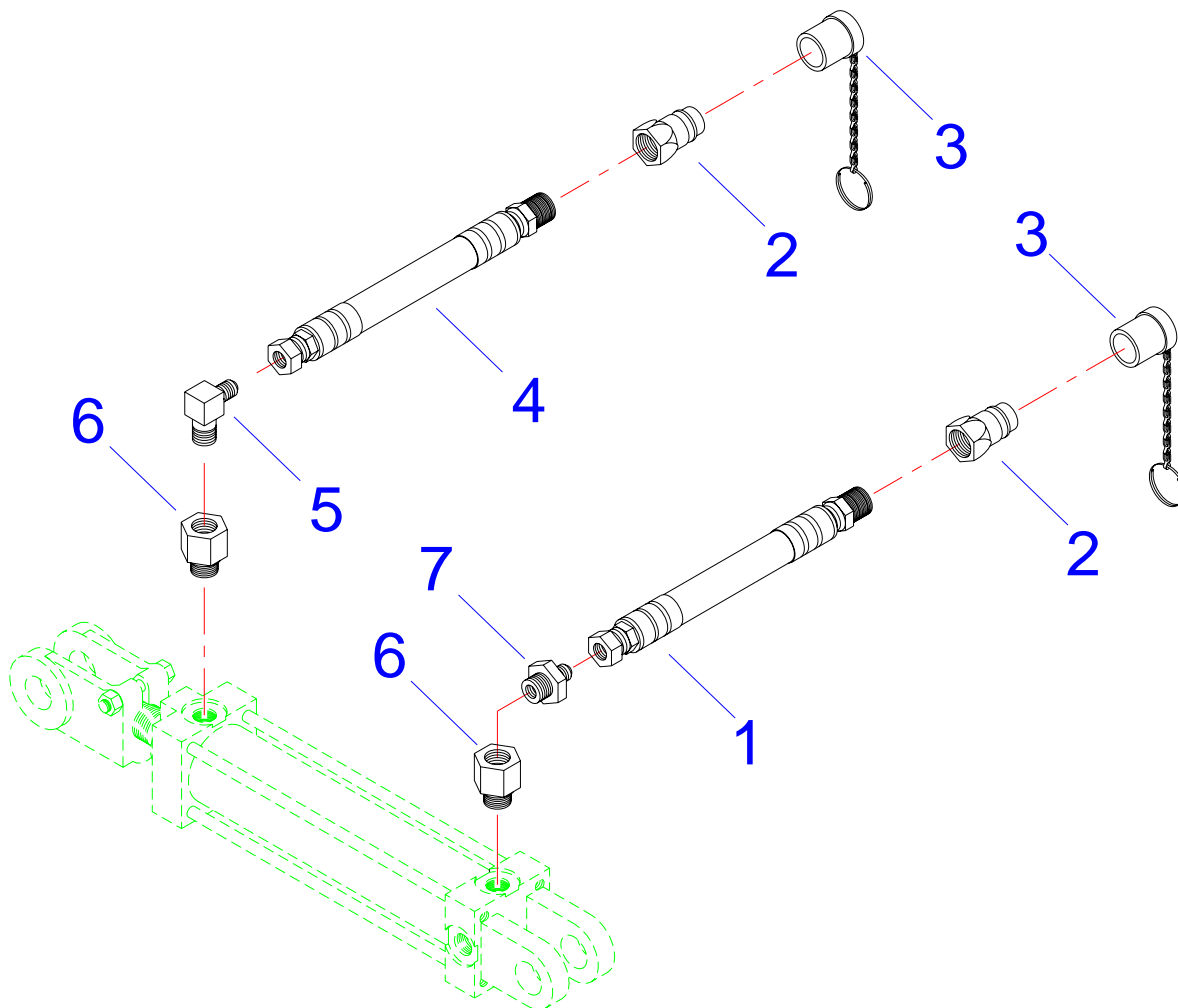
BEFORE 5-14-14



1	PB-800017	HYD. HOSE (96" LG)
2	HK-100965	QUICK COUPLER (MALE)
3	HK-100993	QUICK COUPLER CAP
4	PB-800018	HYD HOSE (108" LG)
5	PB-800019	RESTRICTOR JIC TO PIPE
6	PB-800021	PORT ADAPTER

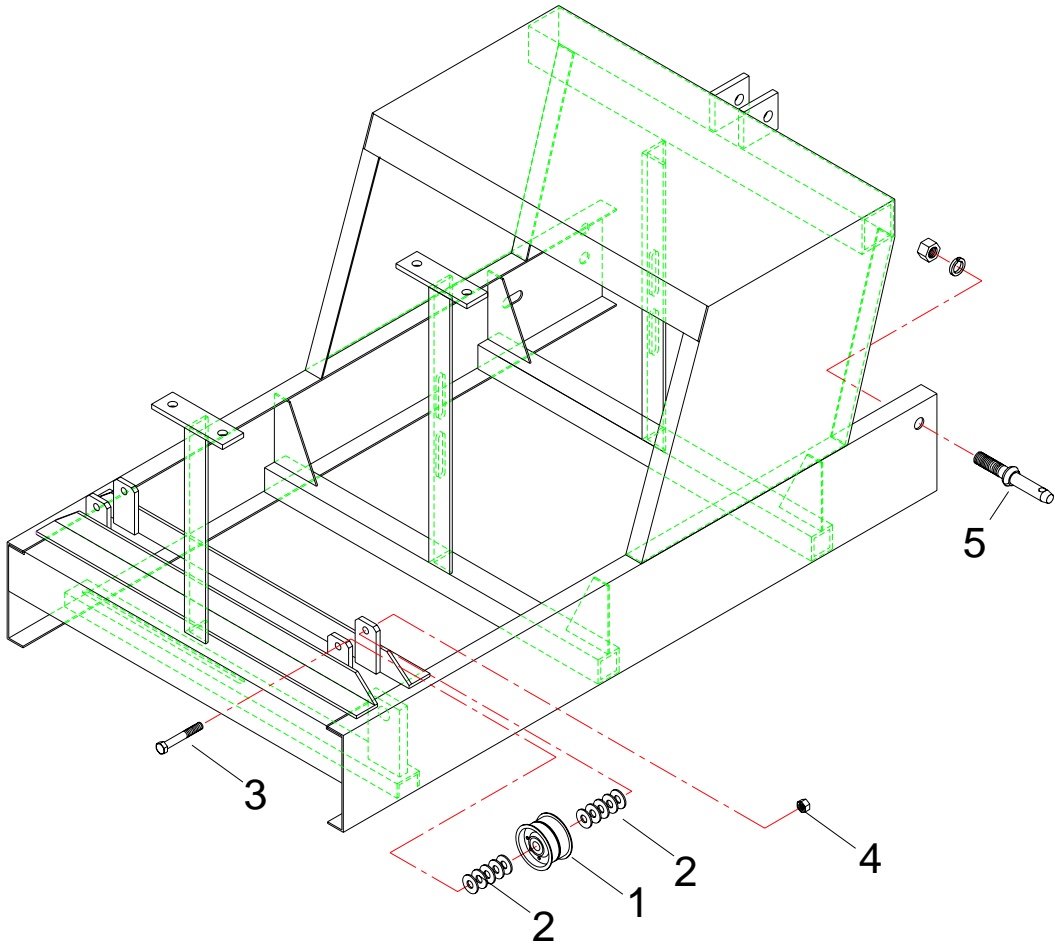
Hydraulic Hose Kit

AFTER 5-14-14



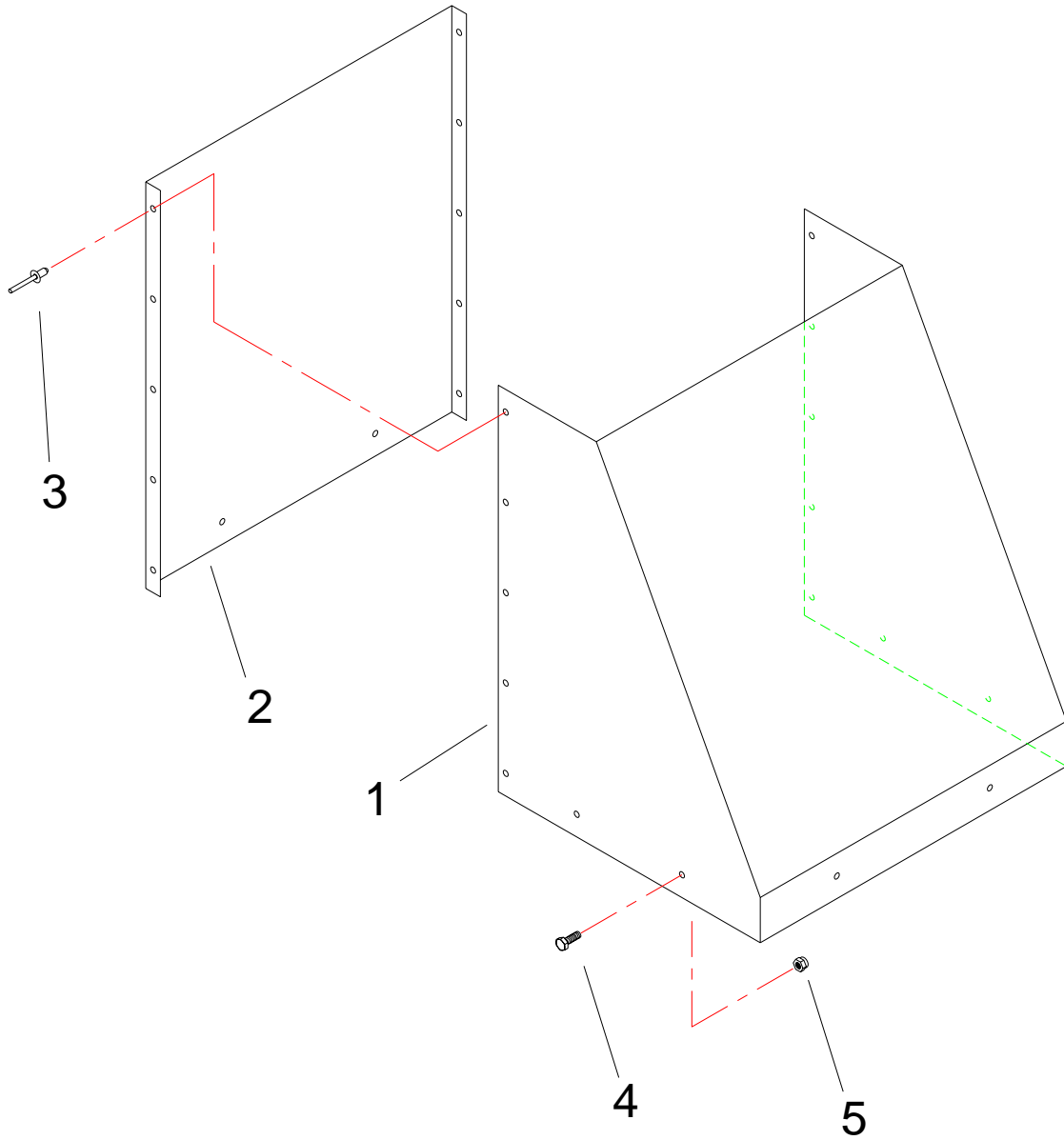
1	PB-800023	HYD. HOSE (96" LG)
2	HK-100965	QUICK COUPLER (MALE)
3	HK-100993	QUICK COUPLER CAP
4	PB-800018	HYD HOSE (108" LG)
5	PB-800019	90°. ELBOW RESTRICTOR JIC TO PIPE
6	PB-800022	PORT ADAPTER
7	PB-800024	RESTRICTOR JIC TO PIPE

Chain Idler and Lift Arm Pin



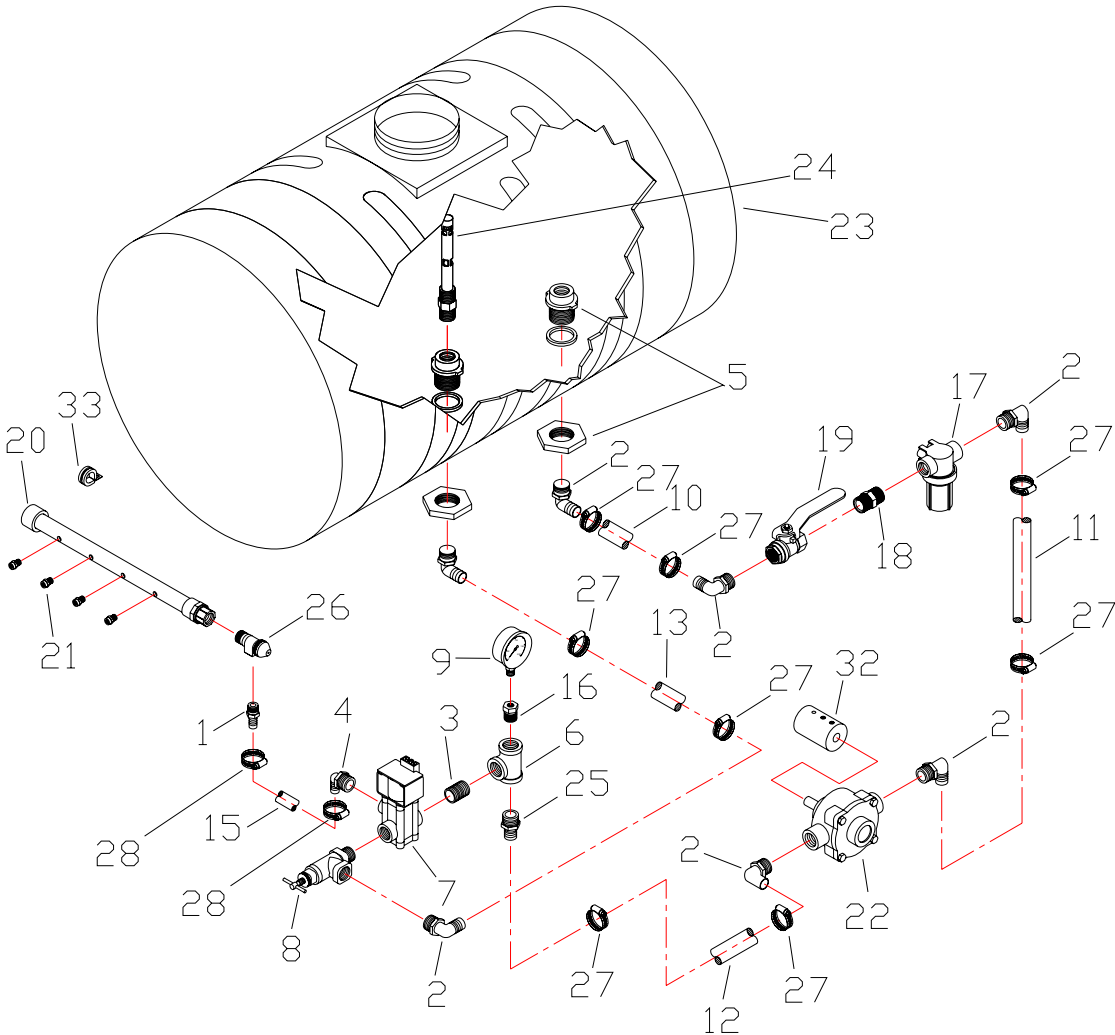
1	HK-101295	IDLER
2	HW-325208Z	1/2" USS FLAT WASHER
3	HW-208124G5Z	BOLT, HH, 1/2-13NC X 3-1/2LG, GR5
4	HW-301208SC	NUT, STOVER LOCK, HEX, 1/2-13NC
5	PB-800138	LIFT ARM PIN (CAT 1)

Volute Assembly



1	PB-800401	SIDE and END
2	PB-800402	SIDE
3	PB-800403	RIVET
4	HW-200102G5Z	BOLT, HH, 1/4-20NC X 3/4 LG
5	HW-301201NEZ	NUT, NYLON LOCK, HEX, 1/4-20 NC

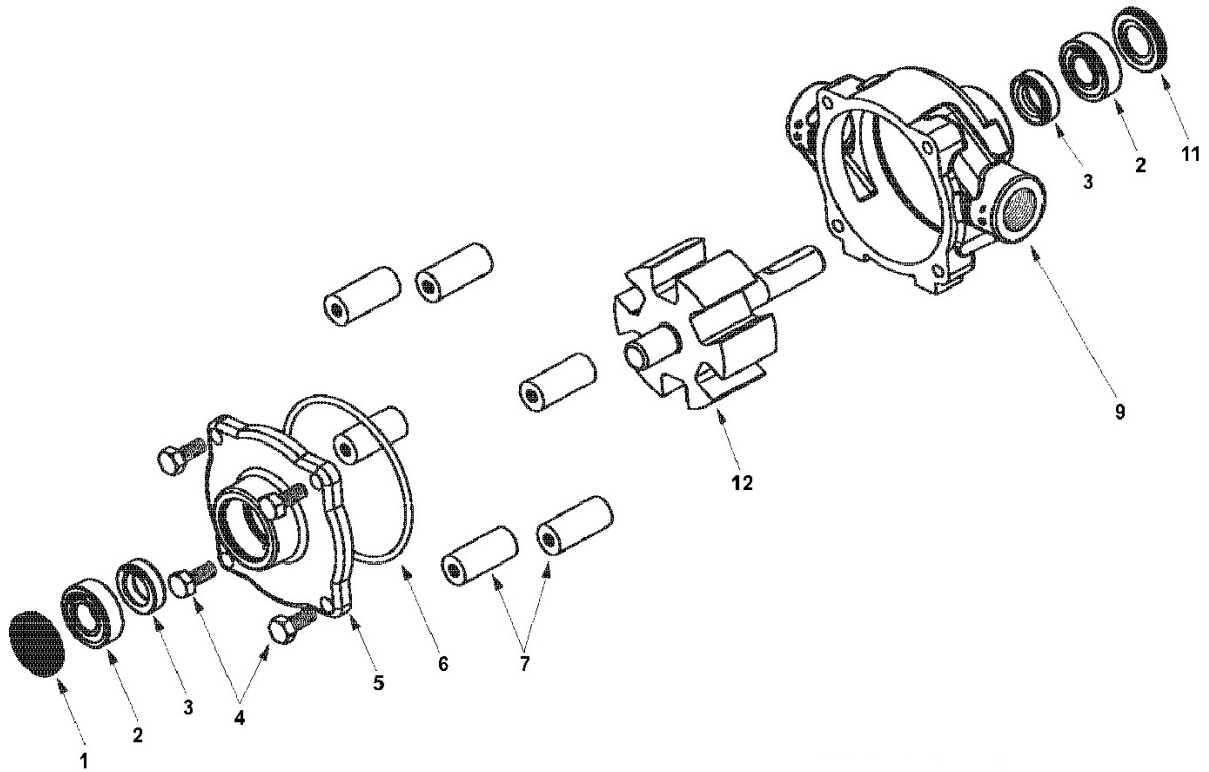
Plumbing



Plumbing

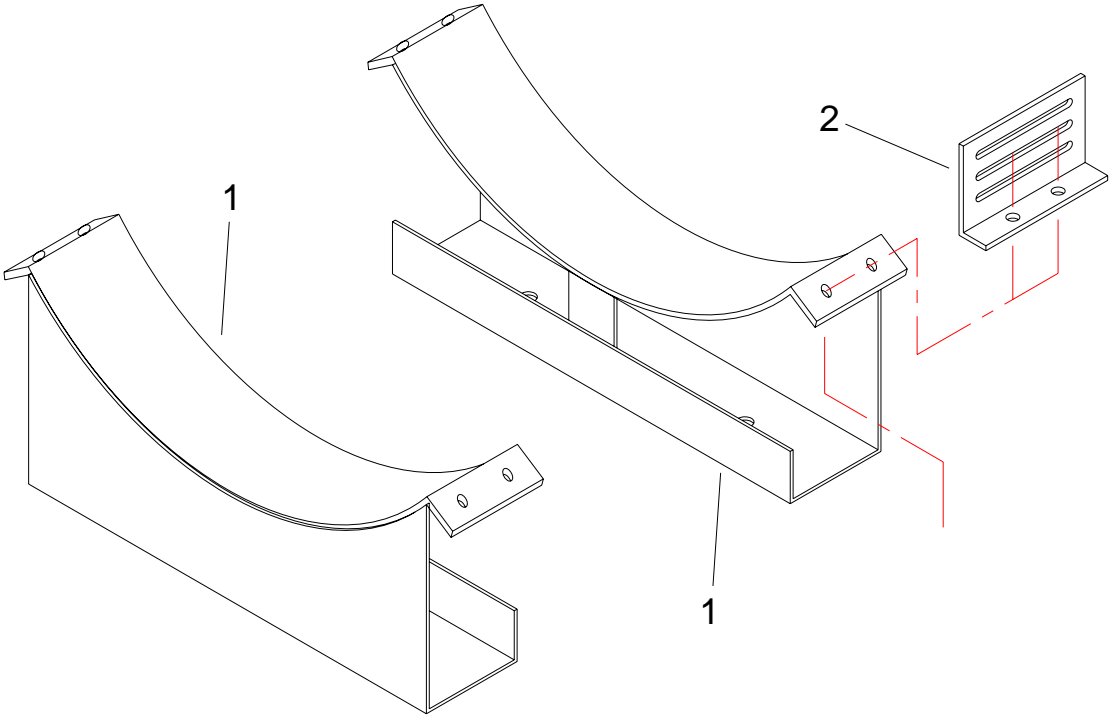
1	PB-800665	3/8 NPT – 1/2 HOSE BARB
2	PB-800662	ELBOW, 90° 3/4 NPT – 3/4 HOSE BARB
3	PB-800663	BLACK PIPE (SHORT) 3/4 NPT – 3/4 NPT
4	PB-800664	ELBOW 90° 1/2 M NPT – 1/2 HOSE BARB
5	PB-800661	3/4 FNPT PP BULKHEAD FITTING
6	SP-200116	TEE 3/4 -- 3/4 -- 3/4
7	PB-800675	ELECTRIC VALVE
8	PB-800659	RELIEF VALVE
9	PS-500021	PRESSURE GAUGE
10	PB-800652	HOSE, TANK TO FILTER 3/4Ø X 15-1/4 LG
11	PB-800651	HOSE, FILTER TO PUMP 3/4Ø X 38 LG
12	PB-800653	PUMP TO GAUGE 3/4Ø X 45 LG
13	PB-800654	GAUGE TO AGITATOR 3/4Ø X 23 LG
14		
15	PB-800656	ELECTRIC VALVE TO SPRAY TIPS 1/2Ø X 78 LG
16	HK-101439	BUSHING 3/4 NPT X 1/4 NPT
17	PB-800668	STRAINER
18	HK-100772	NIPPLE STEEL 3/4 NPT X 3/4 NPT
19	SP-200090	BALL VALVE 3/4 NPT X 3/4 NPT
20	PB-800455	SPRAY MANIFOLD ASSEMBLY
21	90A1FP3.0	SPRAY TIP LIME GREEN
22	6500C	PUMP
23	PB-800405	TANK 55 GAL
24	SP-200126	JET AGITATOR
25	PS-500405	3/4 NPT – 3/4 HOSE BARB
26	PS-500065	CHECK VALVE
27	HW-960212	9/16 – 1-1/16 HOSE CLAMP
28	HW-960210	3/8 – 7/8 HOSE CLAMP
32	PB-800625	COUPLING PUMP TO SHAFT
33	PB-800450	NOZZLE MOUNT STRAP
	PB-800630	ELECTRIC WIRING HARNES (NOT SHOWN)

Pump



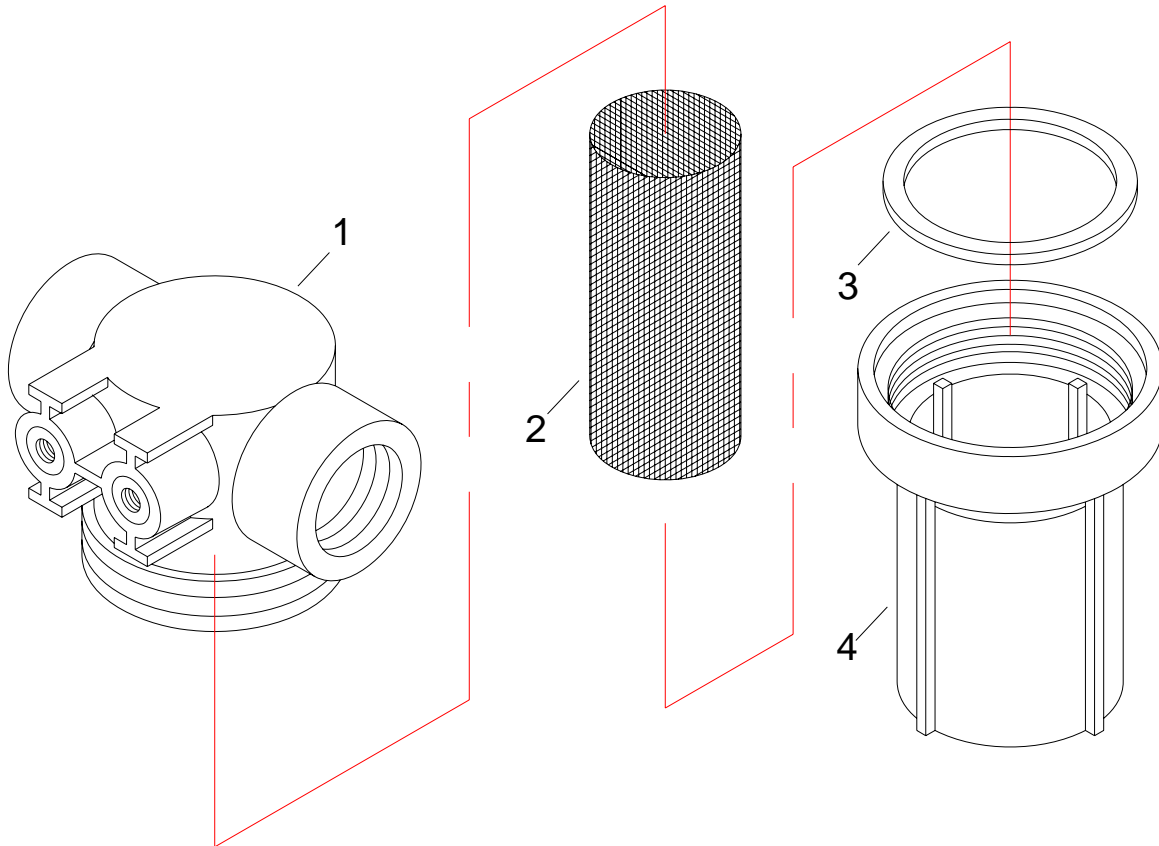
ITEM	QTY.	PART #	DESCRIPTION
1	1	2300-0021	BEARING COVER
2	2	2000-0010	SEALED BALL BEARING
3	2	2107-0002	VITON SEAL
4	4	2210-0004	BOLTS
5	1	0200-6600C	ENDPLATE WITH SEAL
6	1	1720-0008	O-RING GASKET FOR ENDPLATE
7	6	1005-0004	SUPER ROLLER
9	1	0100-6600C	BODY (CAST IRON WITH SEAL
11	1	2300-0023	SHAFT BEARING COVER
12	1	3430-0767	ROTOR ASSEMBLY

Saddle



1	PB-800500	SADDLE
2	SP-200231	TANK STRAP BRACKET
3	PB-800503	TANK STRAP (4" WIDE) NOT SHOWN

Strainer



1	(Not Sold Separately)	CUP TOP
2	PB-800676	SCREEN
3	CP23173-EPR (-VI)	RUBBER WASHER
4	(Not Sold Separately)	CUP
5	HW-M200306G5	BOLT, HEX HEAD, M6-10 X 18MM LG (NOT SHOWN)

NOTE: STRAINER COMPLETE #PB-800668

DECAL



PART # HK-100908 , WARNING DECAL, FIT MACHINE ALL HK MODELS AND ALL DB MODELS



PART # HK-100916, DANGER DECAL, FIT MACHINE ALL HK MODELS AND ALL DB MODELS



PART # HK-100912, WARNING DECAL, FIT MACHINE ALL HK MODELS AND ALL DB MODELS

DECAL



PART # DB-400166, GREASE DECAL, FIT MACHINE ALL DB MODLES



PART # HK-100919, DANGER DECAL, FIT MACHINE ALL HK MODELS AND ALL DB MODELS



HK101853 DECAL LB LOGO (6 X 6)



PB-800852 WARNING SYSTEM PRESSURE