

Lewis Brothers Mfg.
Model # SD-1 Spreader Body
Parts Book



Manufactured by:

LEWIS BROTHERS MANUFACTURING, INC.

Post Office Box 146

Baxley, GA. 31513

Phone: (912) 367-4651

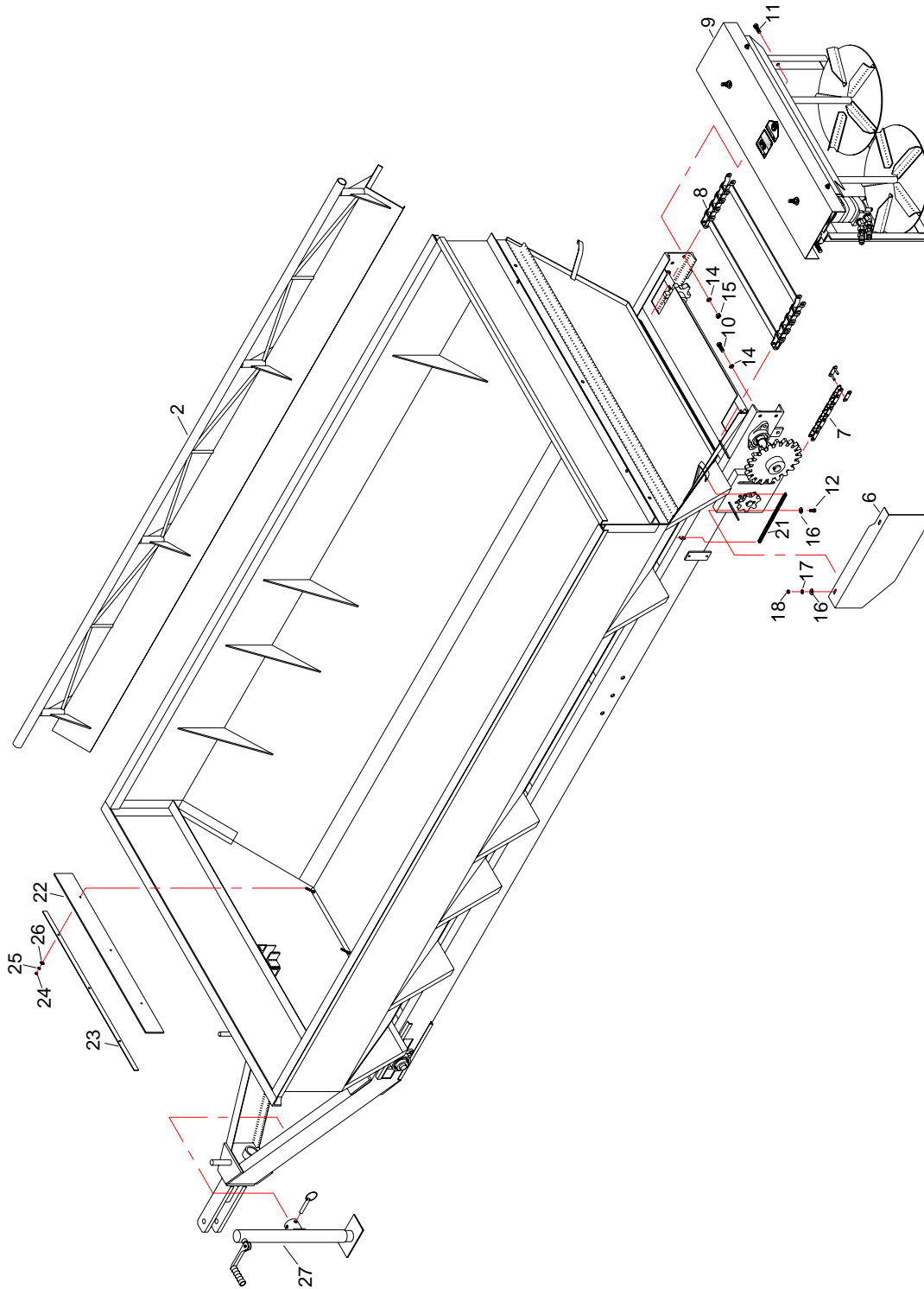
Fax: (912)-367-3958

SD-10000-0

Table of Contents

Components	3
Unloading Chain Parts	5
Unloading Drive Chain Parts	5
Shafting	6
Front Unloading Shaft Assembly	7
Rear Unloading Shaft Assembly	8
Hydraulic Kit	9
Pump and Torque Arm <i>Serial# SD-3324 and Below</i>	11-13
Hydraulic Pump and Torque Arm <i>Serial # SD-3325 and Up</i>	14
Pump <i>Serial # SD-3325 and Up</i>	15
Step Up Box <i>Serial # SD-3325 and Up</i>	16
Variable Speed Valve	17
Hydraulic Motor # HK-100953	19
Hydraulic Motor # HK-100955	21
Single Axle	23
Tandem Axle	24
Spinner Assembly	26
Spinner Assembly Guards	28
Bumper and Deflector	30
Decals	31-35

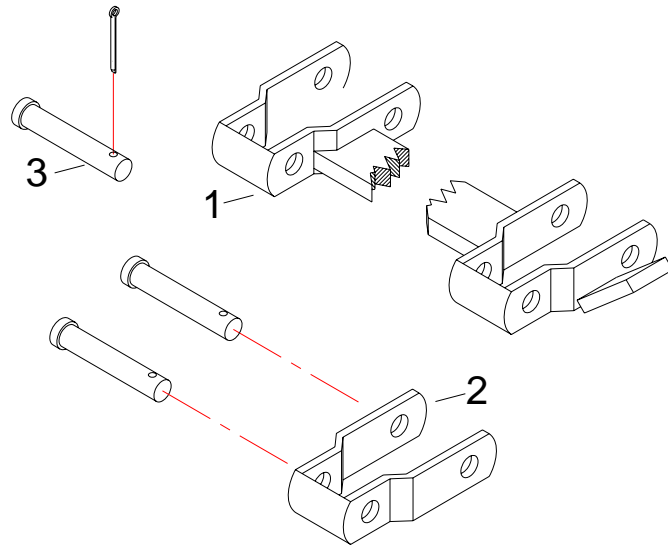
Components



Components

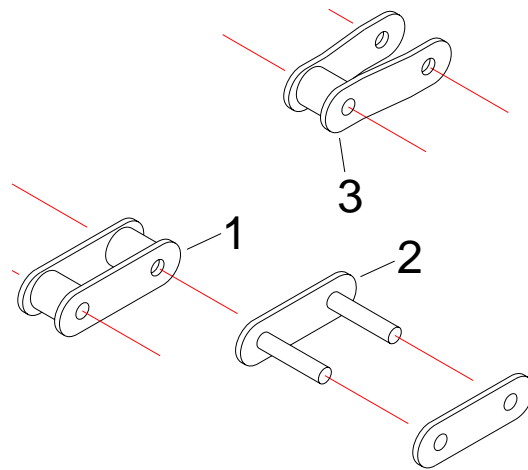
2	SD-300040	Divider
6	03-100692	Unloading Drive Chain Guard
7	HK-101299	Unloading Drive Chain (See Page 5)
8	HK-101296	Unloading Chain Complete with Bars (See Page 5)
9	HK-101333	Spinner Assembly (See Page 26)
10	HW-208108G5Z	Bolt, HH, ZP, 1/2-13NC x 1-1/2
11	HW-208106G5Z	Bolt, HH, ZP, 1/2-13NC x 1-1/4
12	HW-204104G5Z	Bolt, HH, ZP, 3/8-16NC x 1
14	HW-335208Z	Washer, Lock, ZP, 1/2
15	HW-300208ZG5	Nut, Hex, ZP, 1/2-13NC
16	HW-325204Z	Washer, Flat, 3/8
17	HW-335204Z	Washer, Lock, ZP, 3/8
18	HW-300204ZG5	Nut, Hex, ZP, 3/8-16NC
21	HK-100717	Tailgate Spring
22	SD-300069	Belting
23	SD-300049	Belting Holder
24	HW-300202ZG5	Nut, Hex, ZP, 5/16-18NC
25	HW-335202Z	Washer, Lock, ZP, 5/16-18NC
26	HW-325202Z	Washer, Flat, 5/16ZP
27	HK-101470	Jack Stand
	SP-200036	Jack Stand Mount (Not Shown)

Unloading Chain Parts



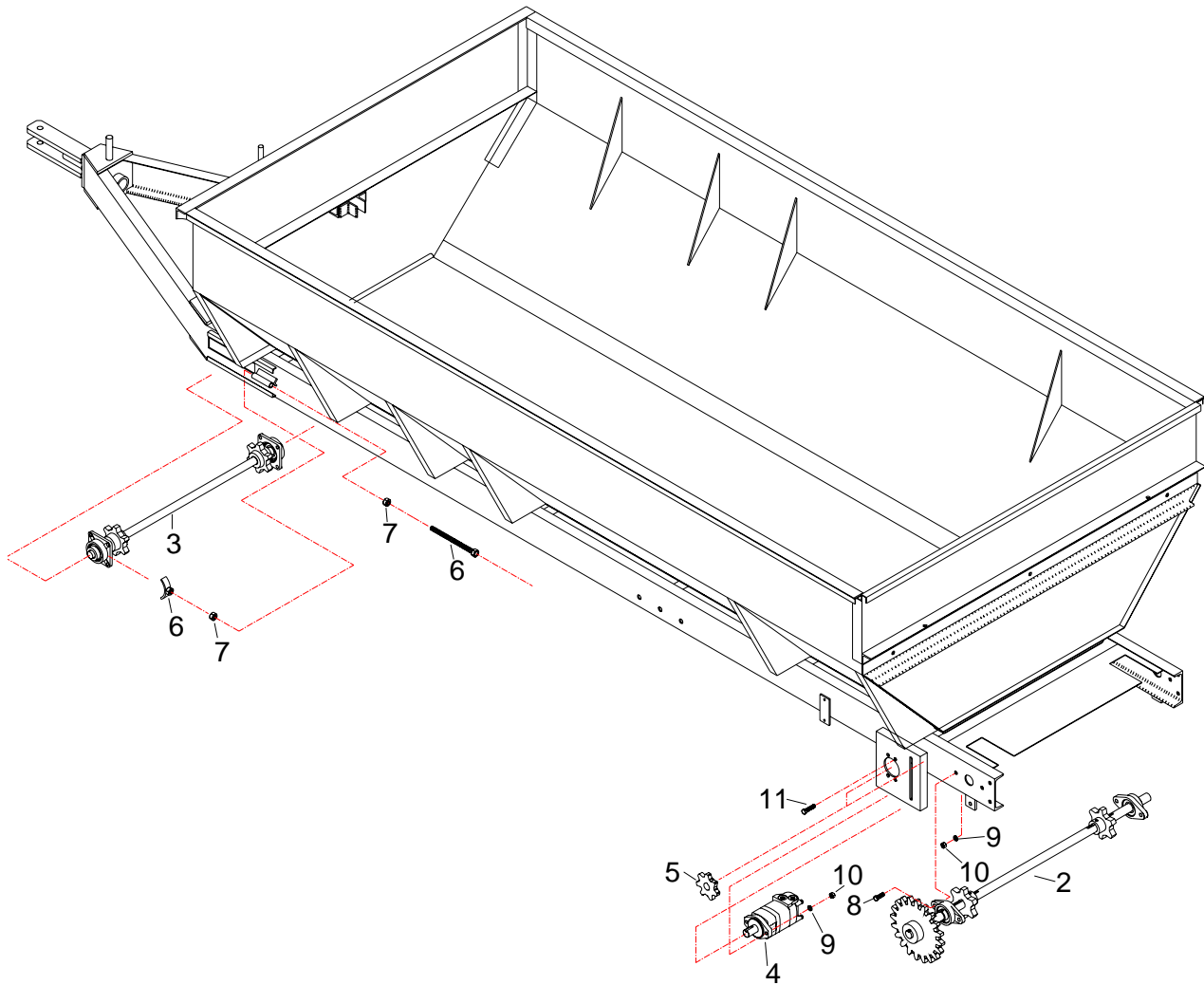
1	HK-100674	Unloading Bar W/Link
2	HK-100671	Unloading Chain Link
3	ULB1071	Link Pin

Unloading Drive Chain Parts



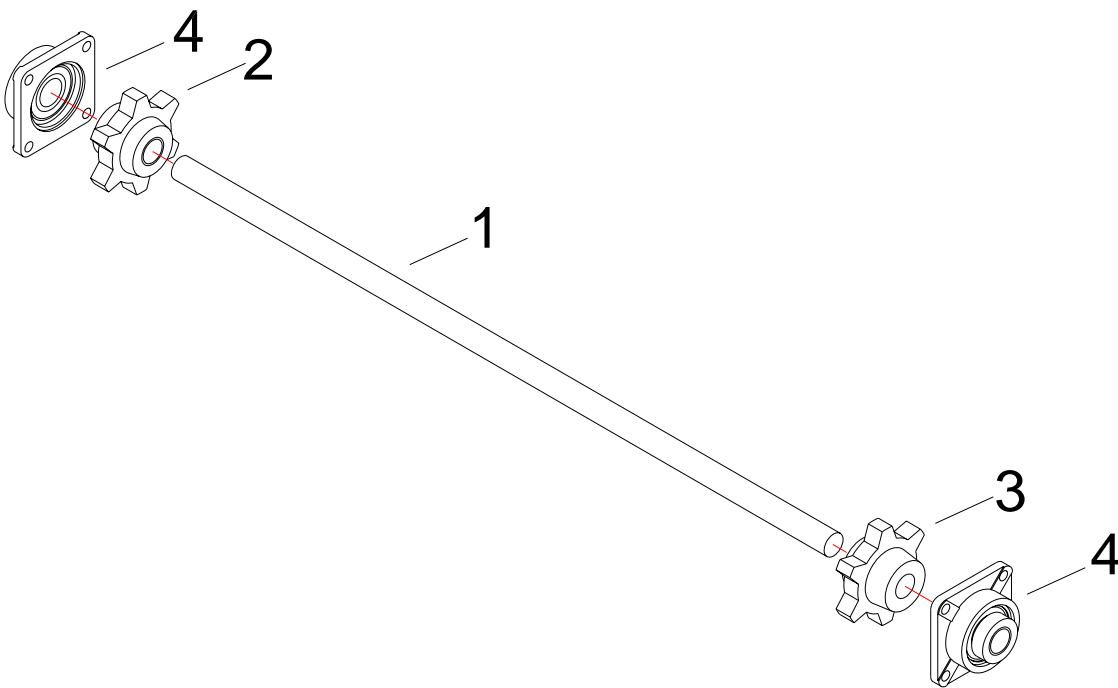
1	RL 550	Roller Link
2	HK-101297	Connecting Link
3	HK-101658	Offset Link

Shafting



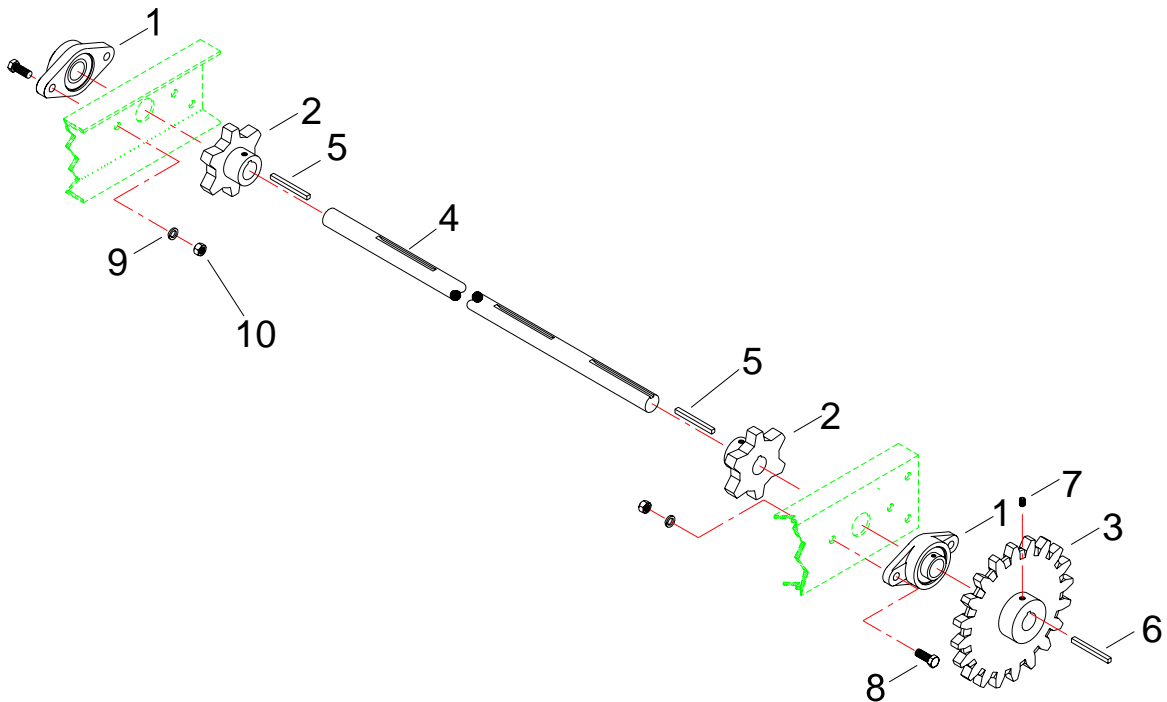
2	HK-100470	Rear Unloading Shaft Assembly (See Page 8)
3	HK-100460	Front Unloading Shaft Assembly (See Page 7)
4	HK-100953	Hydraulic Motor (See Page 19)
5	HK-100465	Sprocket
6	HK-100466	Adjustment Rod
7	HW-300212G5	Nut, Hex, ZP, 5/8-11NC, GR5
8	HW-208108G5Z	Bolt, HH, ZP, 1/2-13NC x 1-1/2, GR5
9	HW-335208Z	Washer, Lock, ZP, 1/2
10	HW-300208ZG5	Nut, Hex, ZP, 1/2-13NC
11	HW-208112G5Z	Bolt, HH, ZP, 1/2-13NC x 2

Front Unloading Shaft Assembly



1	HK-100461	Front Unloading Shaft
2	HK-100462	Sprocket with Grease Fitting
3	HK-100463	Sprocket with Set Screw
5	HK-100464	Bearing

Rear Unloading Shaft Assembly



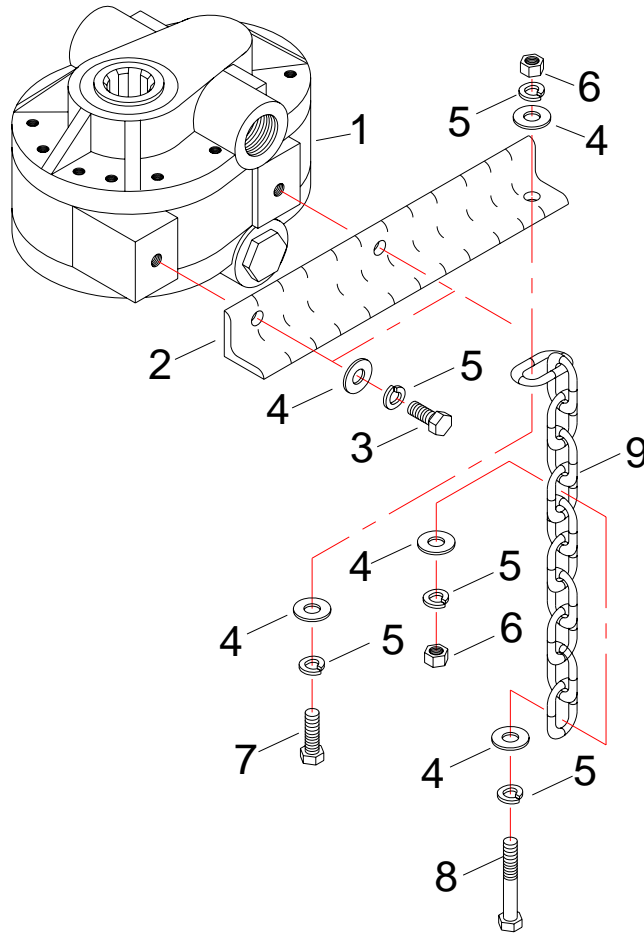
1	HK-100473	Bearing
2	HK-100472	Sprocket
3	HK-100474	Sprocket, Input
4	HK-100471	Shaft
5	HK-100499	Key, 3/8 x 3/8 x 3-1/2
6	HK-100500	Key, 3/8 x 3/8 x 2-1/2
7	HW-628119QBC	Scr, Set, SQ, HD, 3/8-16NC x 1-1/4
8	HW-208108G5Z	Bolt, HH, ZP, 1/2-13NC x 1-1/2
9	HW-335208Z	Washer, Lock, ZP, 1/2
10	HW-300208ZG5	Nut, Hex, ZP, 1/2-13NC, gr5

Hydraulic Kit

1	HK-100971	90° Elbow 1/2" x 1/2"
2	HK-101437	3/4" O-Ring Port x 1/2" FP
3	HK-100976	Tee 1/2" FP x 1/2" FP x 1/2" FP
4	HK-100963	Nipple 1/2" x 1/2"
5	HK-100716	Check Valve
6	HK-101445	45° Elbow 1/2" MP x 1/2" FPX
7	HK-101441	3/4" O-Ring Port x 3/4" Male
8	HK-100696	Variable Speed Valve (See Page 17)
9	HK-101442	Swivel 1/2" x 3/4" FPX
10	HK-100989	Elbow 3/4"MP x 3/4" FPX
11	HK-100774	Bushing 3/4" x 1/2"
12	HK-101438	Tee 3/4 FP x 3/4 FP x 3/4 FP
13	SD-300081	Oil Tank
14	HK-101582	Elbow 90° 6MP x 6MJ
15	HK-100772	Pipe Coupling
16	HK-100722	Filter Assembly (HK-100721 Replacement Filter Only)
17	HK-101642	Elbow 90° 6MJ x 6 O-Ring
18	SD-300068	Relief Valve Not Serviceable Replace Only
19	SD-300071	Hose, Tank to Pump (Suction Hose) (1-1/4 ID x 90" LG)
20	HK-101570	Hose, Pump to Relief Valve (3/4" ID x 96" LG)
21	HK-100964	Quick Coupler (Female)
22	HK-101389	Hose, Relief Valve to Tank 1/2" x 20" LG)
23	HK-101405	Hose, Relief Valve to Variable Speed Valve (3/4" ID x 170" LG)
24	SD-300073	Hose, Variable Speed Valve to Tank (3/4" ID x 165" LG)
25	SD-300076	Hose, Variable Speed to Unloading Motor (1/2" ID x 23" LG) Hose, Unloading Motor to Variable Speed Return
26	HK-101410	Hose, Variable Speed to Spinner Motor (1/2" ID x 45" LG) Hose, Spinner Motor to Variable Speed Valve Return
27	HK-100962	45° Elbow
28	HK-100777	Ball Valve
29	HK-100776	Nipple 1-1/4 x 1-1/4
30	HK-100778	Tank Strainer
31	HK-100965	Quick Coupler (Male)
32	HW-200116G5Z	Bolt, HH, ZP, 1/4-20NC x 2-1/2
33	HW-335200Z	Washer, Lock, ZP, 1/4
34	HW-325200Z	Washer, Flat, ZP, 1/4
35	HW-300200ZG5	Nut, Hex, ZP, 1/4-20NC
36	See Page 11 & 14	Pump/Torque Arm Kit
37	HK-101644	O-Ring Boss Swivel 20MP x 20 FPX
38	HK-101645	O-Ring Boss Swivel 12 MP x 12 FPX
41	SD-300078	Hose, Pump Case Drawn to Oil Tank 1/4" ID x 110" LG

Pump and Torque Arm

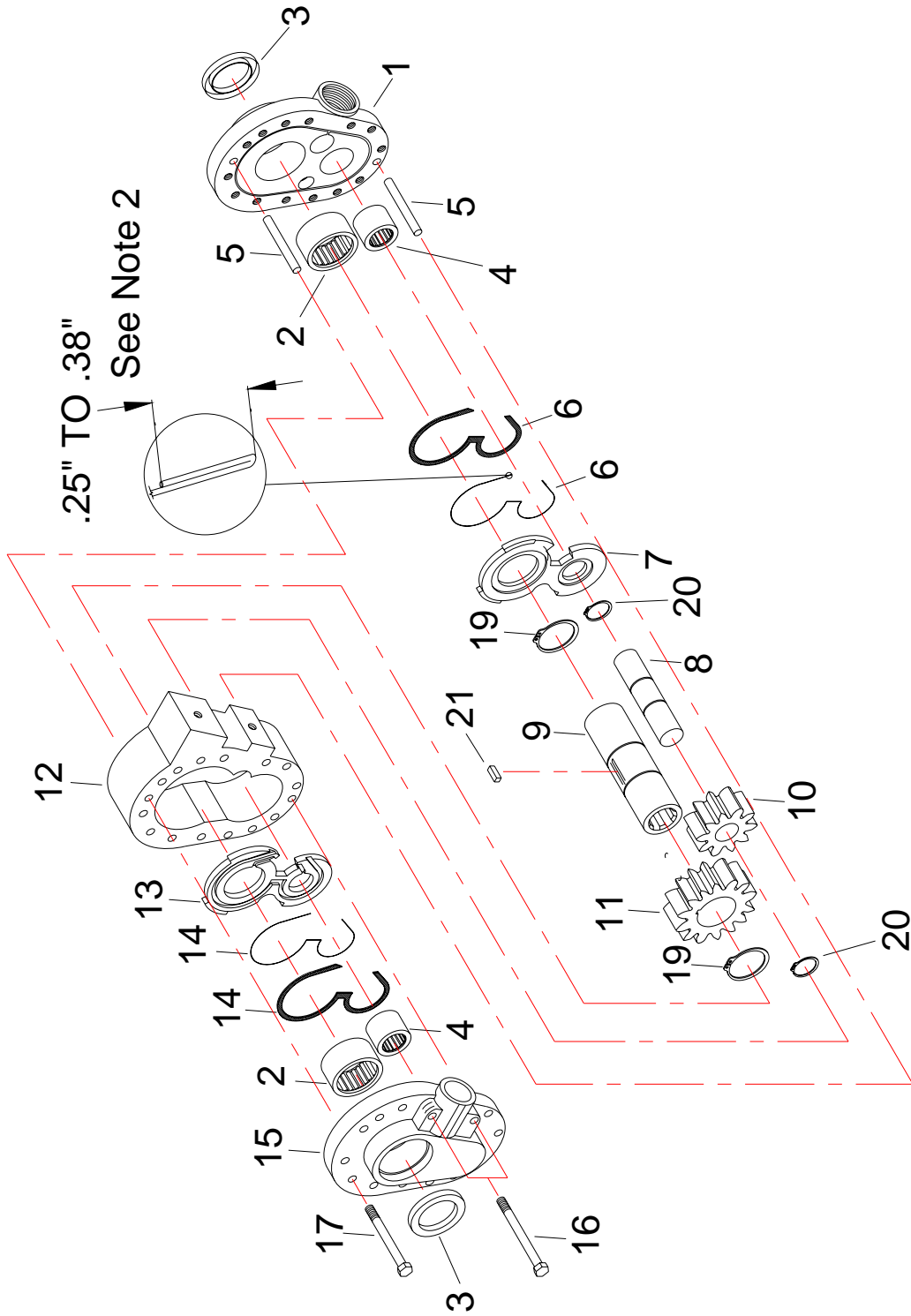
Serial # SD-3324 and Below



1	HK-100719	Hydraulic Pump (See Page 12)
2	HK-101049	Torque Arm
3	HW-204104G5Z	Bolt 3/8-16NC x 1, gr5
4	HW-325204Z	Washer, Flat 3/8
5	HW-335204Z	Washer, Lock, 3/8
6	HW-300204ZG5	Nut, 3/8-16NC
7	HW-204106G5Z	Bolt, 3/8-16NC x 1-1/4, gr5
8	HW-204116G5Z	Bolt, 3/8-16NC x 2-1/2, gr5
9	HK-101261	Chain, (18 Links)

Hydraulic Pump # HK-100719

Serial # SD-3324 and Below



Hydraulic Pump # HK-100719

Serial # SD-3324 and Below

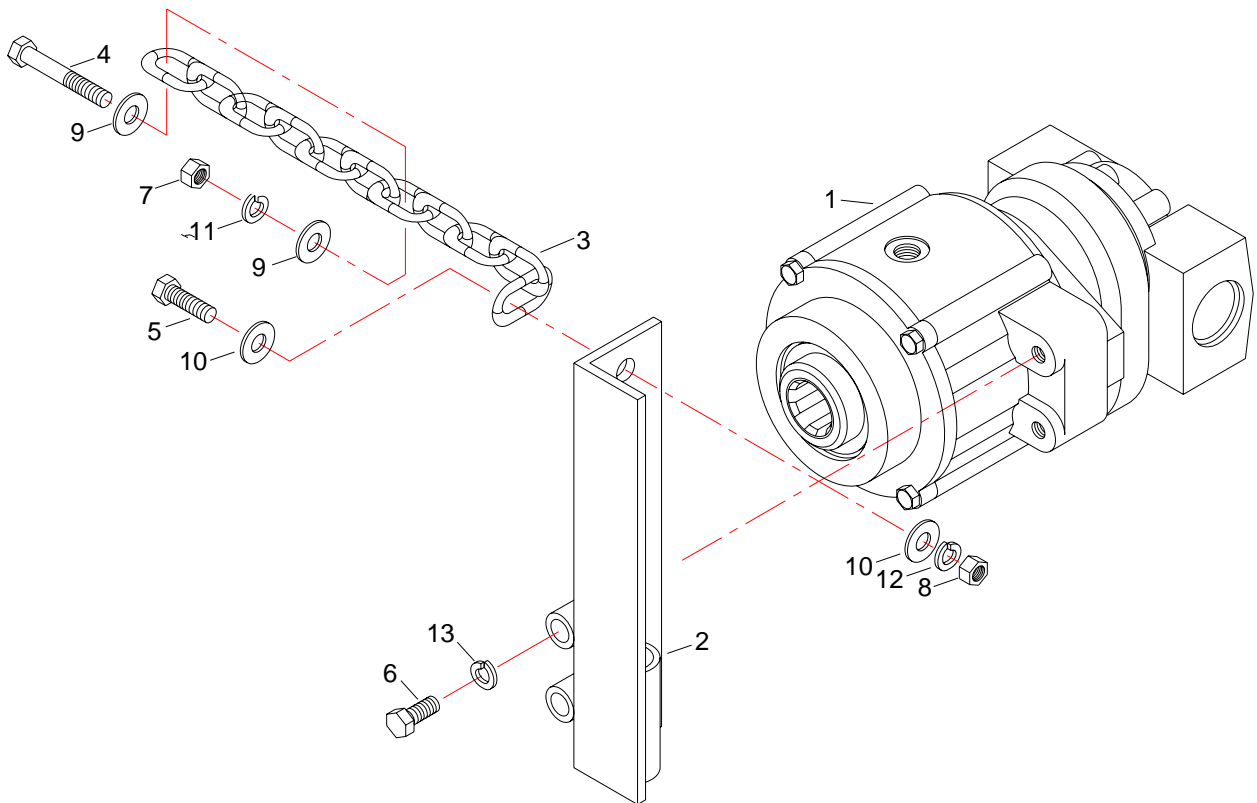
Item	Ref	Part #	Description
1	HK101J	HK101J	Back Plate
2	HK101H	HK-101H	Drive Shaft Bearing
3		151	Shaft Seal
4	HK101G	HK101G	Idler Shaft Bearing
5		N/A	Dowel Pin
6			Seal (Not Sold Separately)
7	HK101E	HK101E	Wear Plate, Back
8		N/A	Idler Shaft
9		HK-101B20	Drive Shaft
10		N/A	Idler Gear
11		N/A	Drive Gear
12		N/A	Body (Special Order Only)
13	HK101F	HK101F	Wear Plate, Front
14			Seal (Not Sold Separately)
15	HK101I	HK101I	Front Plate
16		N/A	Cap Screw 3/8-16NC
17		N/A	Cap Screw 3/8-16NC
18		PMCK-PTO-1AS	Seal Kit (Items 3, 6, & 14 are included)
19	HK101S	HK101S	Snap Ring, Drive (Not Sold Separately)
20	HK101R	HK101R	Snap Ring, Idler (Not Sold Separately)
21	HK101T	HK101T	Key (1/4 x 1/4 x 3/4) (Not Sold Separately)

NOTES:

1. Torque Bolts to 30-35 ft-lbs.
2. Seal Stock is to be assembled between Wear Plate and Protector and then Trimmed so that from .25" to .38" extends from Wear plate on each end. The excess is then tucked back into Wear Plate Slot on the outside until it's flush with the Wear Plate edge.
3. During break-in, Gears will rub on inlet side of Body and "Mill" a slight Track-In Groove. The Track-In area should appear smooth and without distinct score lines.

Hydraulic Pump and Torque Arm

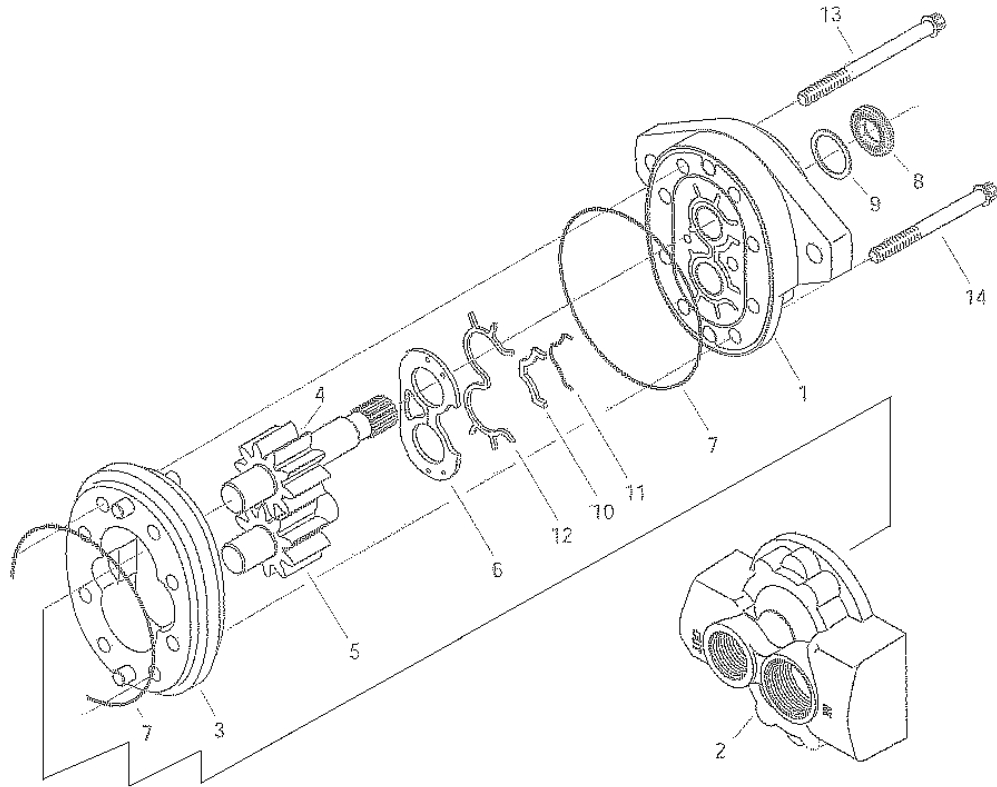
Serial # SD-3325 and Up



1	HK-101624	Hydraulic Pump See Page 15-16)
2	HK-101646	Torque Arm
3	HK-101261	Chain (18 Link)
4	HW-204116G5Z	Bolt, 3/8-16NC x 2-1/2
5	HW-206106G5Z	Bolt, 7/16-14NC x 1-1/4
6	HW-208112G5Z	Bolt, 1/2-13NC x 2
7	HW-300204ZG5	Nut, 3/8-16NC
8	HW-300206ZG5	Nut, 7/16-14NC ZP
9	HW-325204Z	Washer, Flat, 3/8
10	HW-325206Z	Washer, Flat, 7/16
11	HW-335204Z	Washer, Lock, 3/8
12	HW-335206Z	Washer, Lock, 7/16
13	HW-335208Z	Washer, Lock, 1/2
	HK-101639	Pump and Torque Arm Kit (Items 1 – 13)

Pump

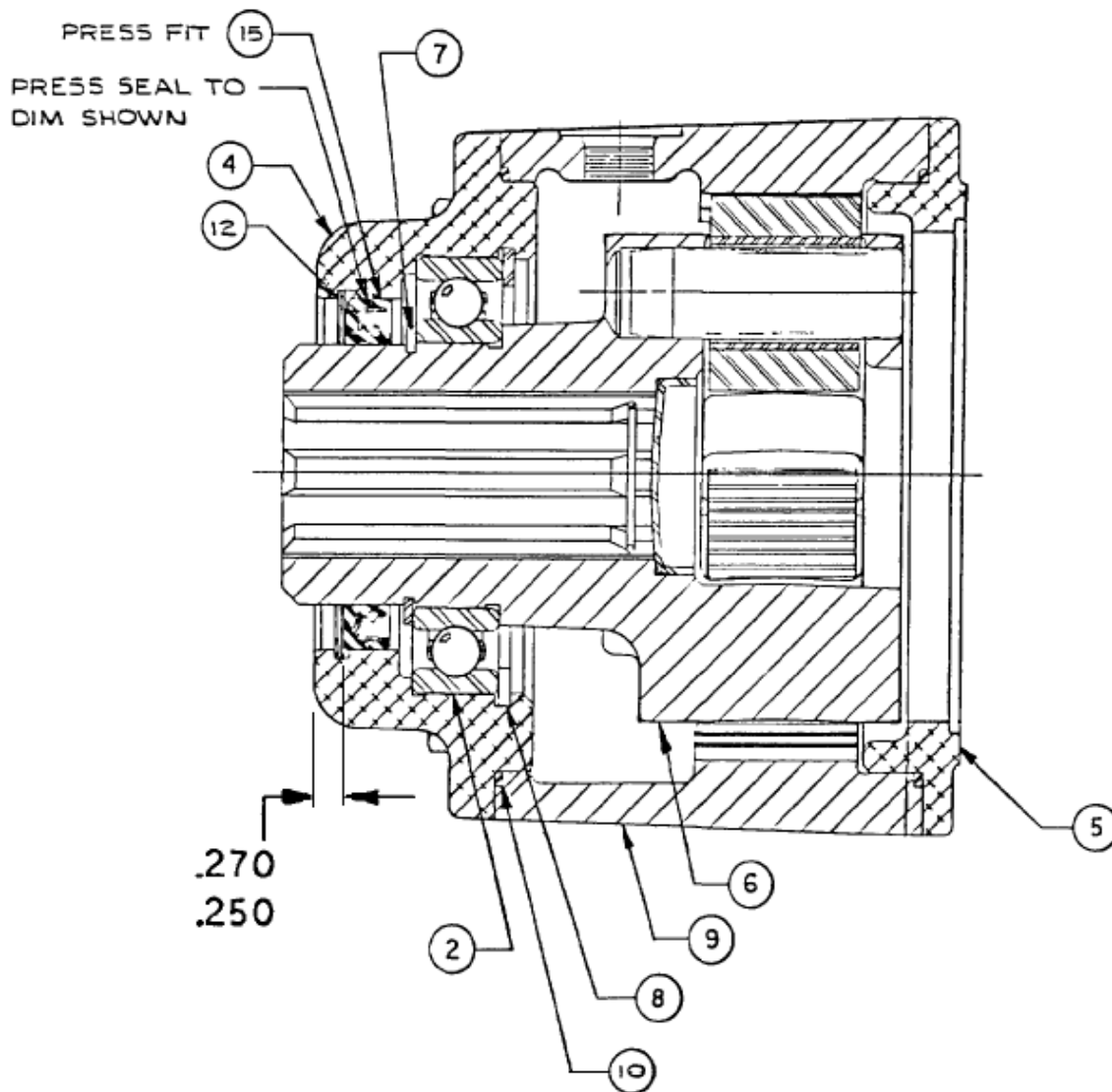
Serial # SD-3325 and Up



1		Front Plate
2	25500-51	Back Plate
3		Body
4		Drive Gear (Spline Shaft)
5		Idle Gear
6		Wear Plate
7		O-Ring
8		Shaft Seal
9		Washer
10		Bearing Seal
11		Molded O-Ring
12		Back-Up Basket
13		Cap Screw
14		Cap Screw
	25500-901	Seal Kit (contains items 6, 7, 8, 9, 10, 11, and, 12)

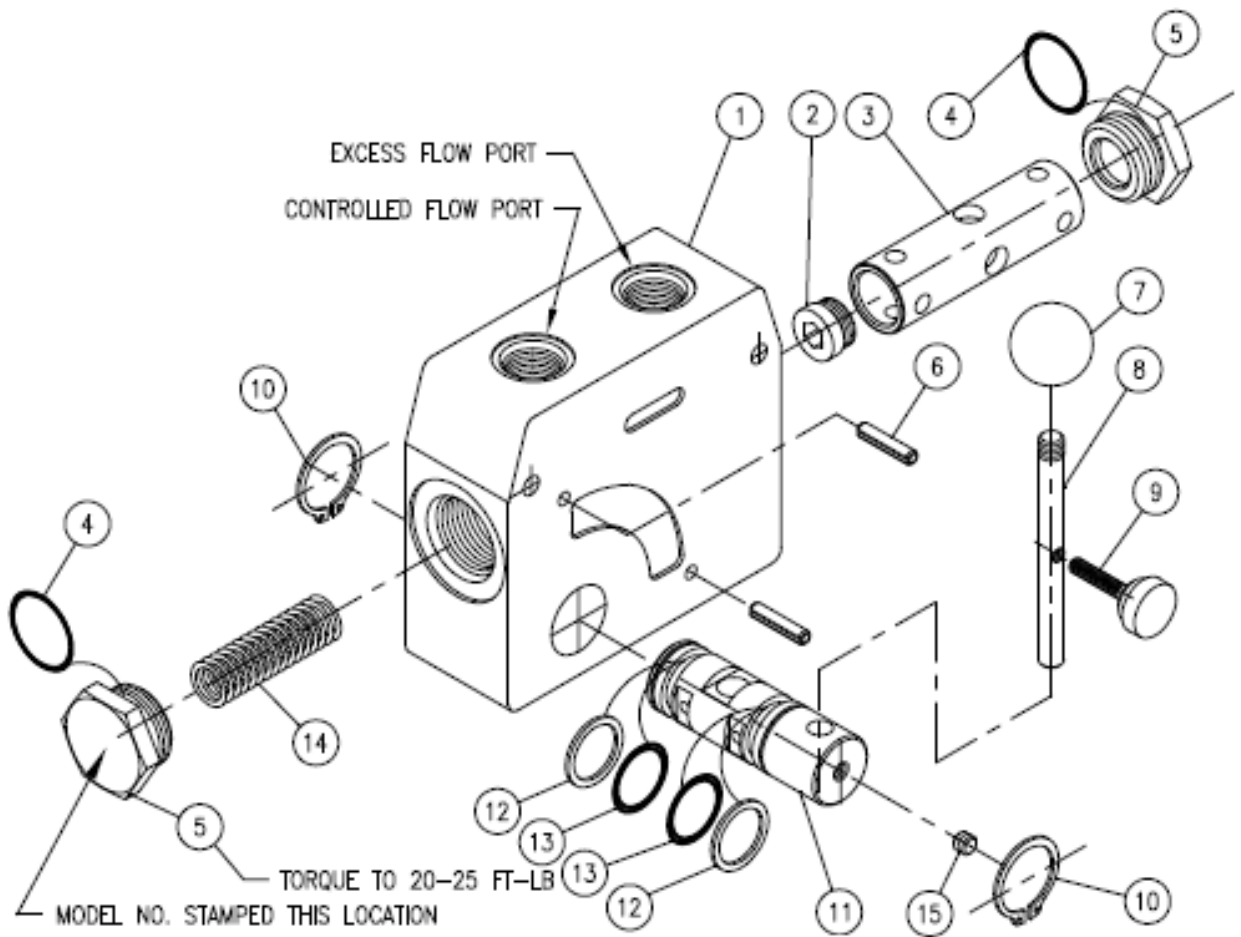
Step Up Box

Serial # SD-3325 and Up



2	N/A	Carrier Bearing
4	N/A	Front Plate
5	N/A	Adapter Plate
6	N/A	Carrier Assembly
7	N/A	Retaining Ring
8	N/A	Retaining Ring
9	N/A	Housing
10	16015-58	O-Ring
12	N/A	Retaining Ring
15	16253-34	Shaft Seal

Variable Speed Valve

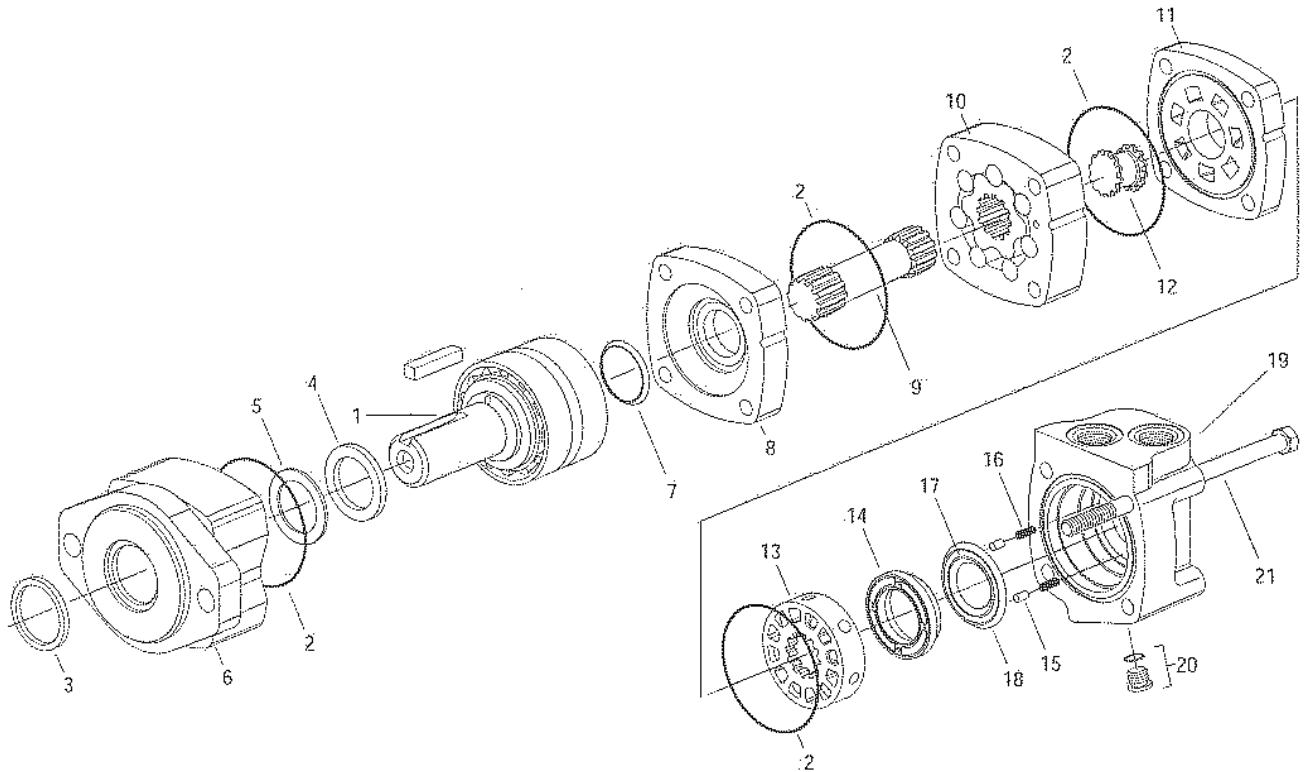


Variable Speed Valve

1	N/A	Valve Body
2	N/A	Plug
3	N/A	Metering Spool
4		O-Ring
5	N/A	Main Bore Plug
6		Roll Pin
7		Handle Knob
8		Handle
9		Thumb Screw
10	N/A	Snap Ring
11	N/A	Rotary Spool
12		Back-Up Washer (See Note 1)
13		O-Ring (See Note 1)
14	N/A	Metering Spring
15	N/A	Set Screw
	RDK1005	Seal Kit Includes Items 4, 12, and 13.
	H1071	Handle Kit Includes Items 6, 7, 8, and 9.

NOTE: 1. Spool Seal Installation Procedure: Install one O-Ring and Backup Washer in the Groove on Handle end of Rotary Spool, push Spool thru from Handle side just far enough to expose O-Ring Groove on the backside. Install the other O-Ring and Back-Up Washer and Push Spool back. Lubricate Seals before Installation.

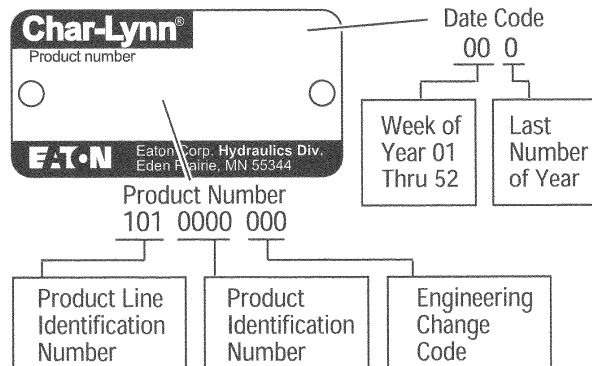
Hydraulic Motor # HK-100953



How to Order Replacement Parts

Each Order Must Include the Following:

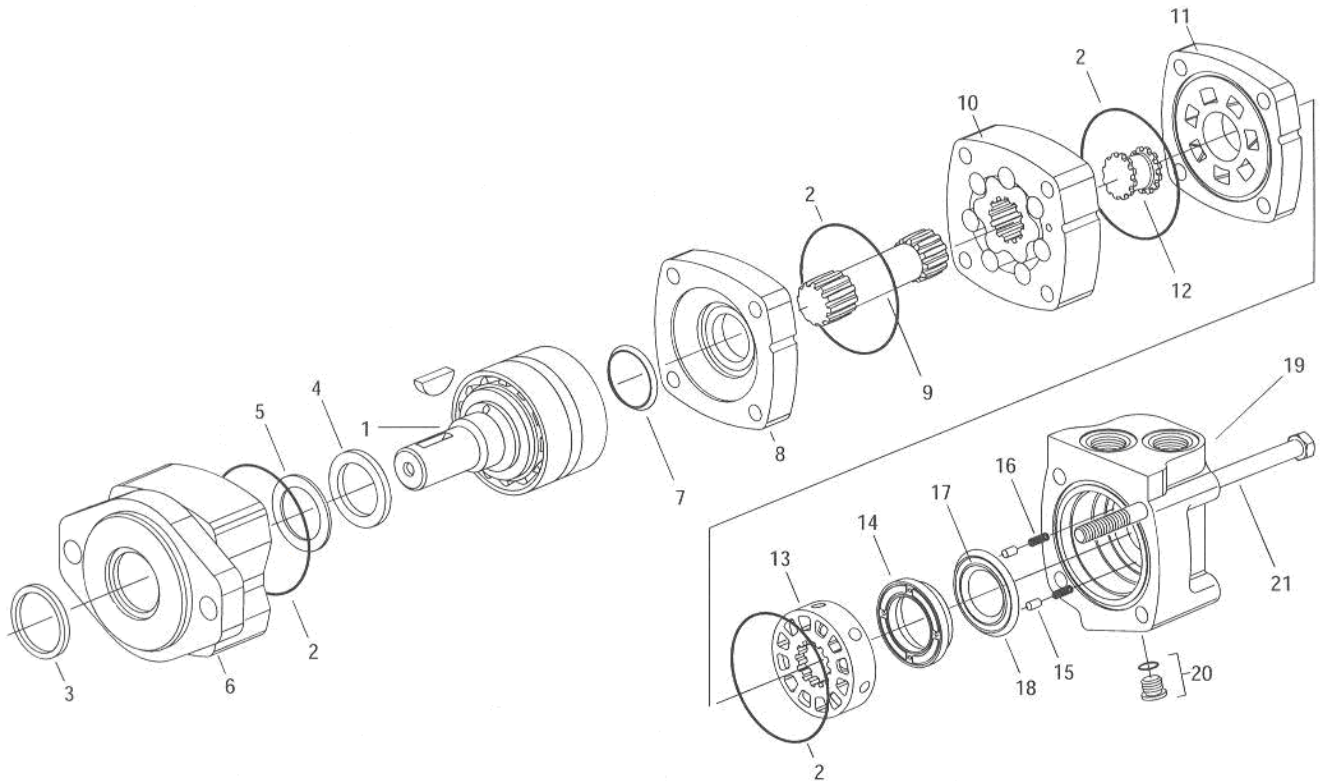
1. Product Number
2. Date Code
3. Part Name
4. Part Number
5. Quantity of Parts



Hydraulic Motor # HK-100953

	1	21618-002	Shaft and Bearing Kit	1
		14392-008	Key	1
*	2		Seal (Not Sold Separately)	4
*	3	9121-001	Seal Exclusion (Dust)	1
*	4	9057-009	Seal, (Pressure)	1
*	5	7382	Ring, Back-up	1
	6	21578-004	Housing, Bearing	1
*	7		Seal, Shaft Face (Not Sold Separately)	1
	8	22102-000	Plate, Wear	1
	9	21371-008	Drive, Main	1
	10	21625-008	Geroler	1
	11	22134-000	Plate Valve	1
	12	8433-000	Drive, Valve	1
	13	21466-000	Valve	1
	14	8915-000	Balance Ring	1
	15	14351-000	Pin, Balance Ring	2
	16	7383-000	Spring, Compression	2
*	17		Seal, Face, Inner (Not Sold Separately)	1
*	18		Seal, Face, Outer (Not Sold Separately)	1
	19	21564-001	Housing, Valve	1
	20	9072-003	Plug Assembly	1
*			O-ring (Not Sold Separately)	1
	21	14384-012	Screw, Cap	4
		61258-000	Seal, Kit (Contains Parts Indicated by *)	

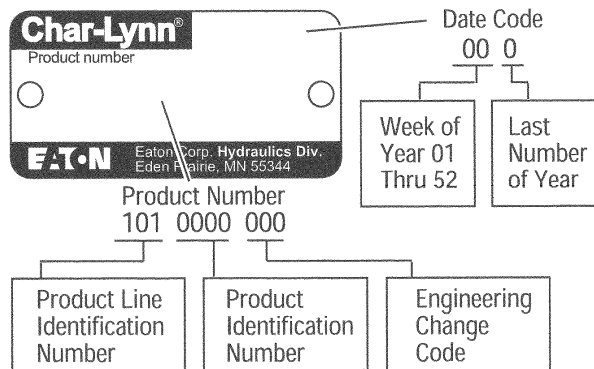
Hydraulic Motor # HK-100955



How to Order Replacement Parts

Each Order Must Include the Following:

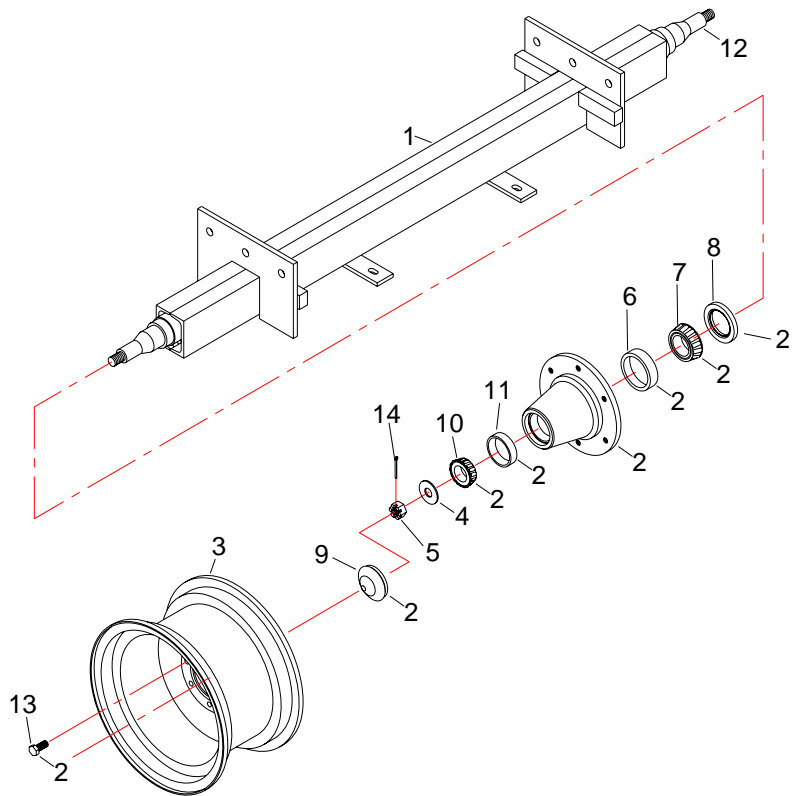
1. Product Number
2. Date Code
3. Part Name
4. Part Number
5. Quantity of Parts



Hydraulic Motor # HK-100955

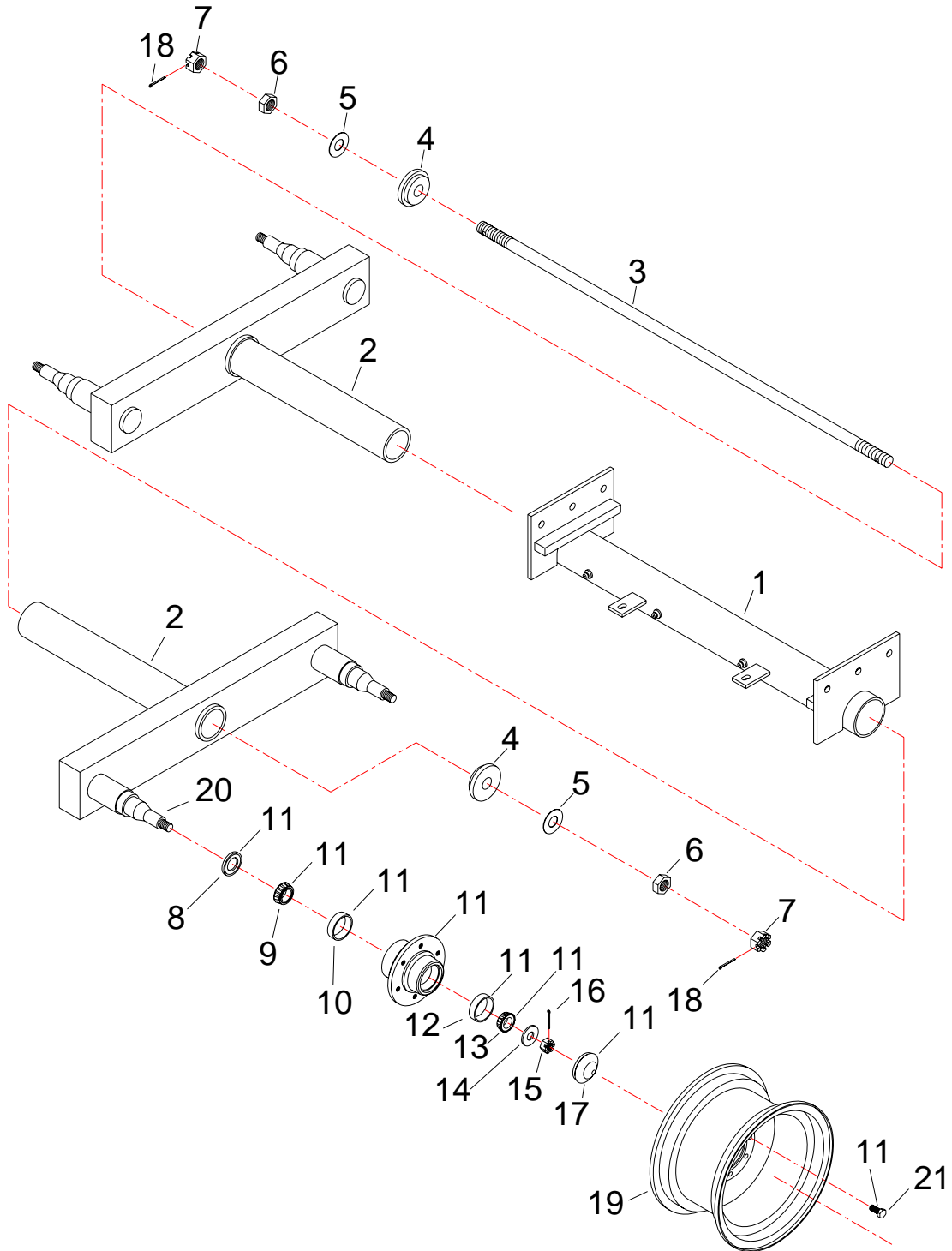
	1	21618-002	Shaft and Bearing Kit	1
		14392-008	Key	1
*	2		Seal (Not Sold Separately)	4
*	3	9121-001	Seal Exclusion (Dust)	1
*	4	9057-009	Seal, (Pressure)	1
*	5	7382	Ring, Back-up	1
	6	21578-004	Housing, Bearing	1
*	7		Seal, Shaft Face (Not Sold Separately)	1
	8	22102-000	Plate, Wear	1
	9	21371-004	Drive, Main	1
	10	21625-003	Geroler	1
	11	22134-000	Plate Valve	1
	12	8433-000	Drive, Valve	1
	13	21466-000	Valve	1
	14	8915-000	Balance Ring	1
	15	14351-000	Pin, Balance Ring	2
	16	7383-000	Spring, Compression	2
*	17		Seal, Face, Inner (Not Sold Separately)	1
*	18		Seal, Face, Outer (Not Sold Separately)	1
	19	21564-001	Housing, Valve	1
	20	9072-003	Plug Assembly	1
*			O-ring (Not Sold Separately)	1
	21	14384-003	Screw, Cap	4
		61258-000	Seal, Kit (Contains Parts Indicated by *)	

Single Axle



1	HK-101151	Axle (Complete, Items 1, 2, 4, 5, and 14)
2	HK-101321	Hub Assembly
3	HK-101323	Wheel
4		Washer, Flat 7/8" (Not Sold Separately)
5	HW-300219S	Nut 7/8-14NF
6	HK-100745	Inner Race
7	HK-100746	Inner Bearing
8	HK-100747	Seal
9	HK-100741	Cap
10	HK-100744	Outer Bearing
11	HK-100743	Outer Race
12		Spindle (Not Sold Separately)
13	HW-960812	Wheel Bolt
14		Pin, Cotter, 3/16" x 1-3/4" (Not Sold Separately)
15	HK-101457	Spindle Kit Includes Items 4, 5, 12, and 14

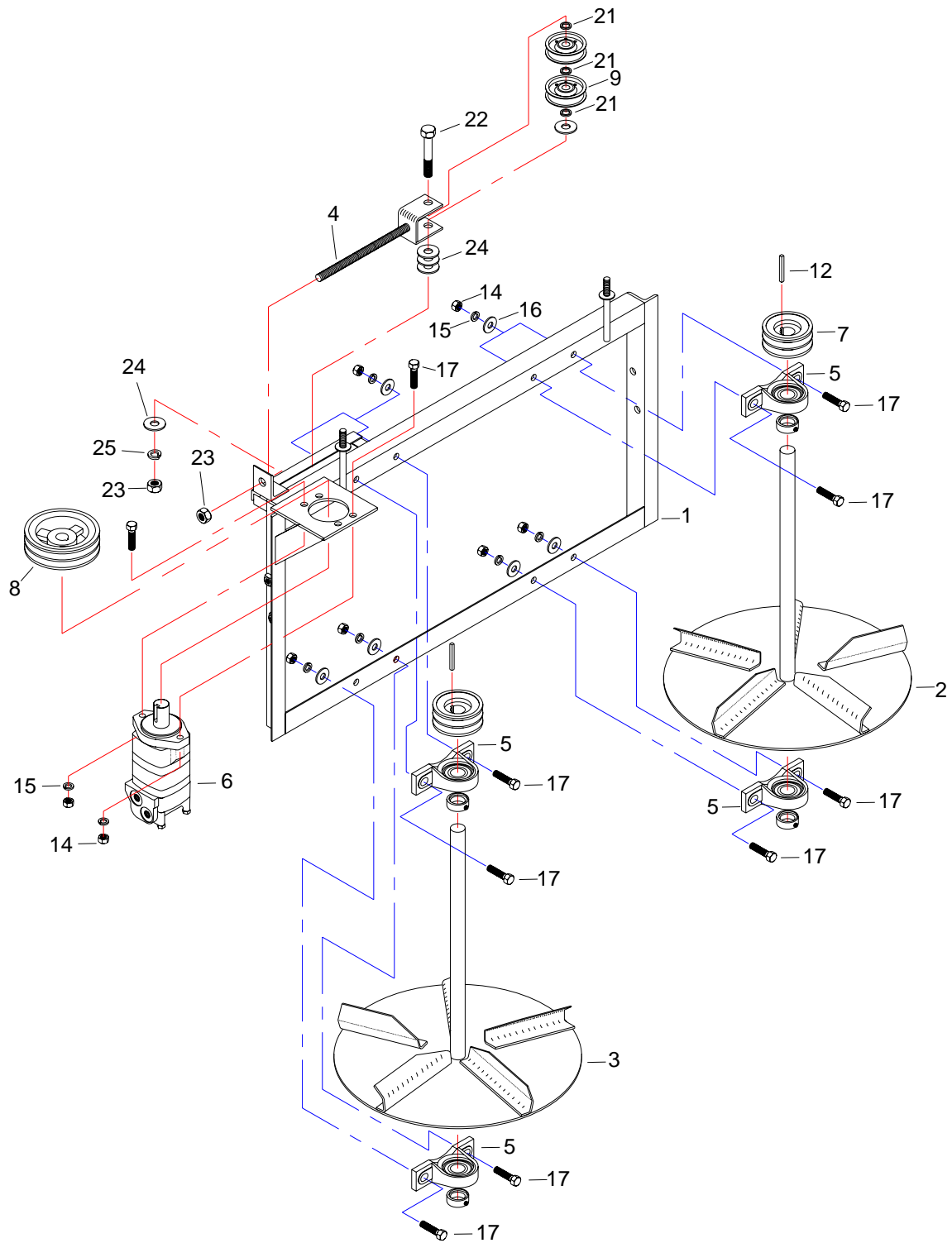
Tandem Axle



Tandem Axle

1	HK-100603	Axle Mount Tube
2	HK-100602	Tandem Swivel Arm
3	HK-100613	Tandem Tie Rod
4	HK-100608	End Cap
5	HW-325224Z	Washer, Flat, 1-1/4
6	HW-300224J	Nut, Hex, Jam, 1-1/4NC7
7	HW-300224S	Nut, Hex, Slotted, 1-1/4NC-7
8	HK-100740	Wheel Seal
9	HK-100739	Inner Bearing
10	HK-100738	Inner Race
11	HK-101326	Hub with Bearing and Seal
12	HK-100736	Outer Race
13	HK-100737	Outer Bearing
14		Washer, Flat, 7/8
15	HW-300219S	Wheel Nut 7/8NC-9
16		Pin, Cotter 3/16 x 1-3/4 (Not Sold Separately)
17	HK-100741	Hub Cap
18		Pin, Cotter, 3/16x3 (Not Sold Separately)
19	HK-101325	Wheel
20		Spindle (Not Sold Separately)
21	HW-960811	Wheel Bolt, 9/16-18NF x 1" gr8
22	HK-100612	Spindle Kit includes 14, 15, 16 and 20

Spinner Assembly

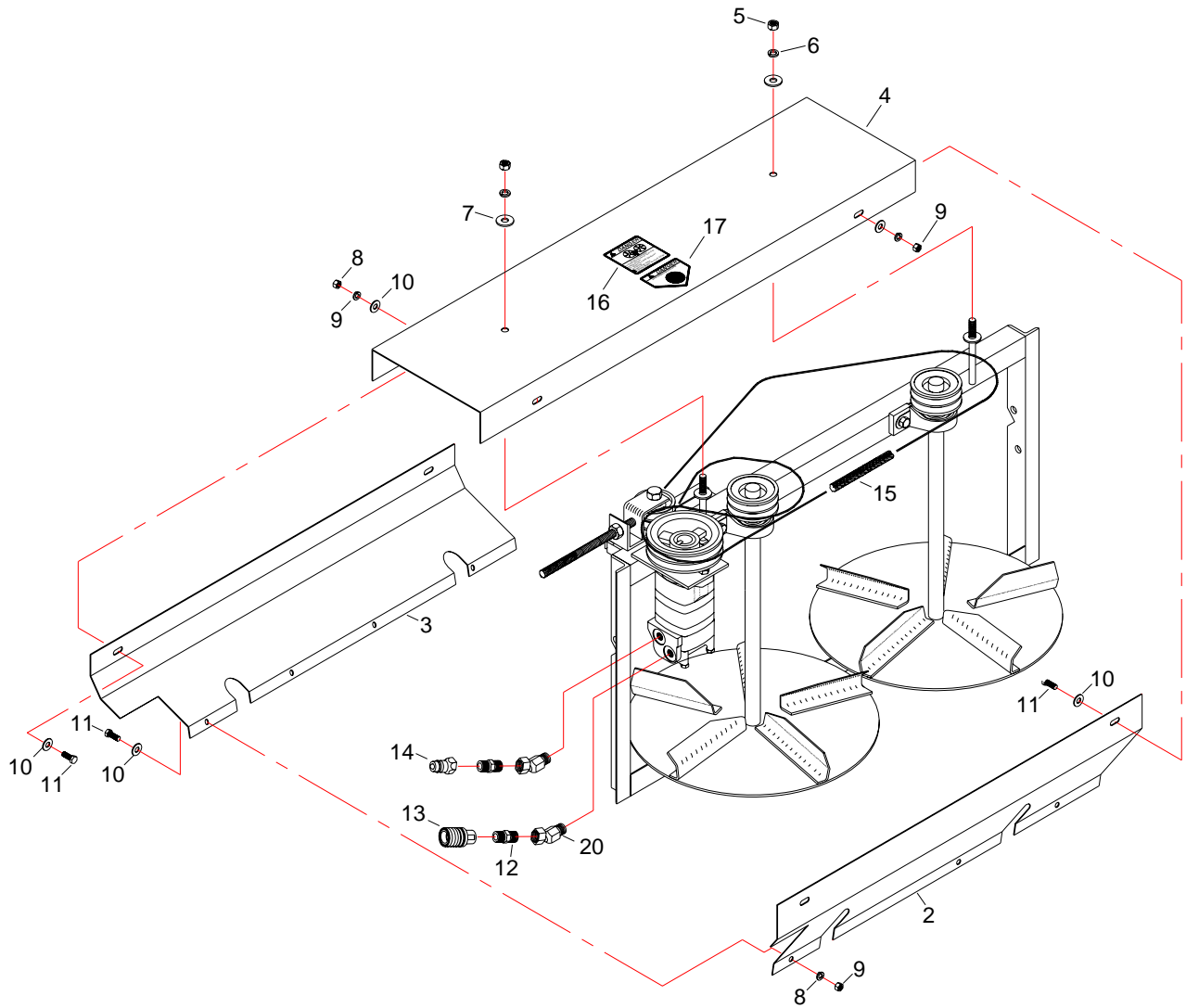


Spinner Assembly

1	HK-100061	Spinner Frame
2	HK-100408	R.H. Spinner Fan
3	HK-100412	L.H. Spinner Fan
4	HK-100398	Idler Adjustment
5	HK-100389	Bearing
6	HK-100955	Hydraulic Motor (See Page 21)
7	HK-100551	Spinner Fan Pulley
8	HK-100555	Spinner Drive Motor Pulley
9	HK-100960	Spinner Idler Pulley
10	HW-204103G5Z	Bolt, Hex, 3/8"-16NC x 7/8
11	HW-335204Z	Washer, Lock, 3/8 ZP
12	HK-100495	Key 1/4 x 1/4 x 2-1/2
14	HW-300208ZG5	Nut, Hex ZP 1/2-13NC GR5
15	HW-335208Z	Washer, Lock, ZP, 1/2
16	HW-325208Z	Washer, Flat ZP X 1/2
17	HW-208112G5Z	Bolt, 1/2-13NC x 2
21	HK-100961	Shim
22	HW-212128G5Z	Bolt 5/8-11NC x 4
23	HW-300212ZG5	Nut, 5/8-11NC
24	HW-325212Z	Washer, Flat, 5/8
25	HW-335212Z	Washer, Lock, 5/8

Note: Spinner Guards see page 28.

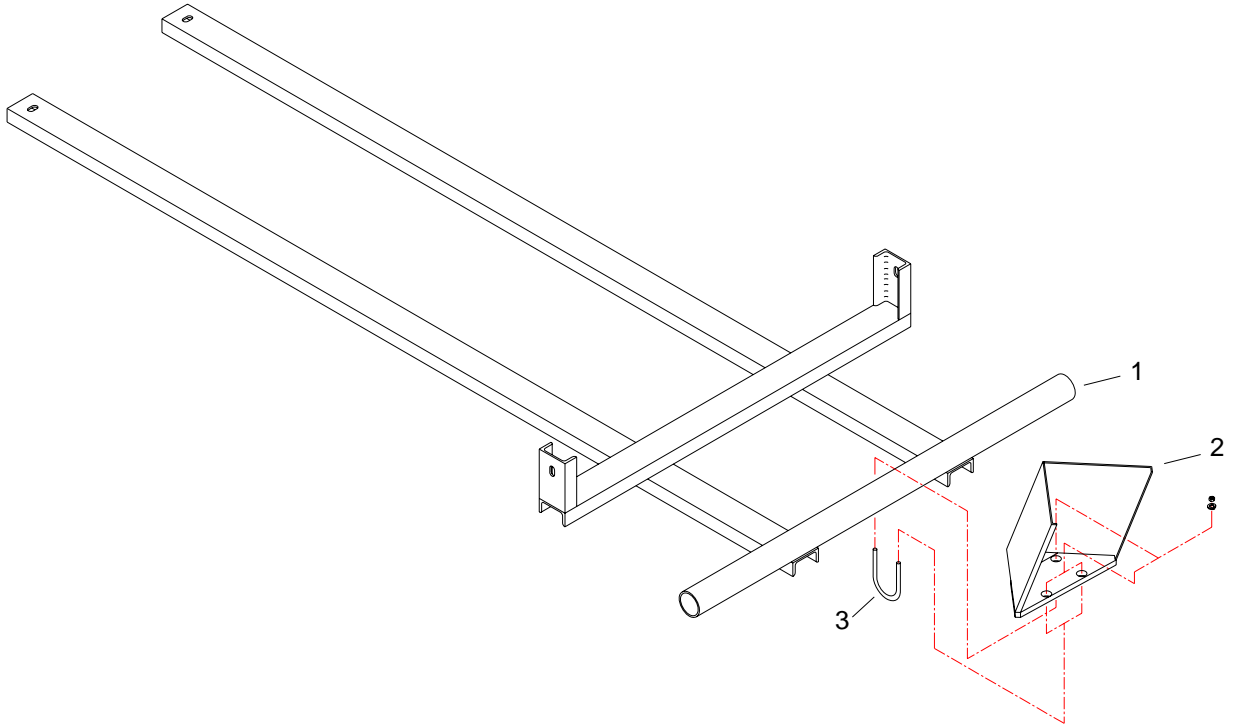
Spinner Assembly Guards



Spinner Assembly Guards

1	HK-101333	Spinner Assembly Complete
2	HK-100031	Lower Rear Fan Belt Guard
3	HK-100030	Lower Front Fan Bent Guard
4	HK-100004	Top Fan Belt Guard
5	HW-300208ZG5	Nut, 1/2-13NC
6	HW-335208Z	Washer, Lock, 1/2
7	HW-325208Z	Washer, Flat, 1/2
8	HW-335204Z	Washer, Lock 3/8
9	HW-300204ZG5	Nut, 3/8-16NC
10	HW-325204Z	Washer, Flat, 3/8
11	HW-204104G5Z	Bolt, 3/8-16NC x 1
12	HK-100963	Nipple 1/2 x 1/2
13	HK-100964	Quick Coupler (Female)
14	HK-100965	Quick Coupler (male)
15	HK-100950	Belt
16	HK-100917	Decal, Danger Spinner (See page 33)
17	HK-100916	Decal, Danger Hands and Feet (See Page 32)
18	HK-100993	Cap, Quick Connect (Not Shown)
19	HK-100994	Plug, Quick Connect (Not Shown)
20	HK-100962	45° Elbow

Bumper and Deflector



1	SD-300044	Bumper
2	HK-100015	Deflector
3	SP-200115	U-Bolt

DECAL



PART # HK-100986, WARNING DECAL,



PART # HK-100906, CAUTION DECAL,



PART # HK-100908 , WARNING DECAL

DECAL



PART # HK-100916, DANGER DECAL



PART # HK-100899, CAUTION DECAL



PART # HK-100918, WARNING DECAL

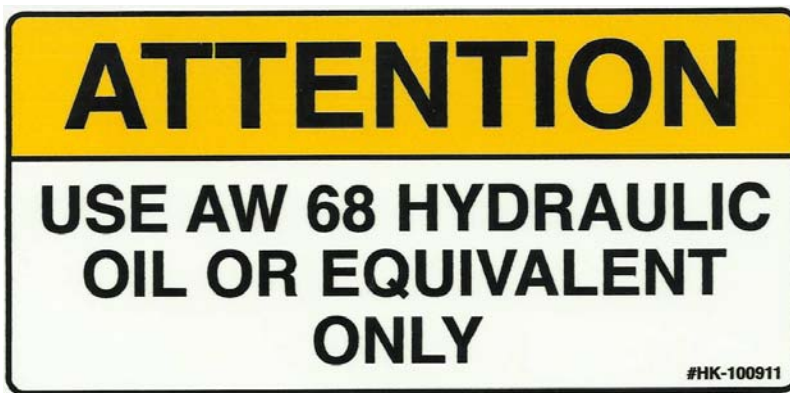
DECAL



PART # HK-100917, DANGER DECAL



PART # HK-100910, ATTENTION DECAL



PART # HK-100911, ATTENTION DECAL

DECAL



PART # HK-100907, CAUTION DECAL



PART # HK-100912, WARNING DECAL

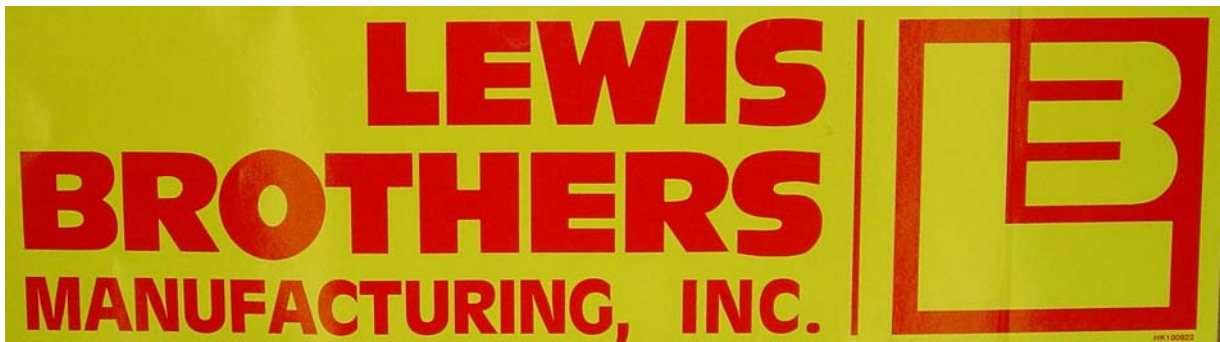


PART # HK-101669, SLOW MOVING DECAL

DECAL



PART # HK-100919, DANGER DECAL



PART # HK-100922, LEWIS BROTHERS DECAL